

# PRESIDENT

## GEORGE FCC

AM / FM / SSB

*Engineered to be  
the very best*



### FEATURES

- Automatic SWR
- NRC / ANL / NB / Hi-Cut
- Scan / Scan Skip
- 2 Priority programmable channels
- Vox (Hands-free function)
- CTCSS / DCS
- PA (Public Address)
- Talkback / Noise Gate
- DW / Lock
- RF Power / RF Gain / Mic Gain
- Monitor
- SWR protection
- Voltage protection
- Clarifier

«SCAN SKIP»

7 COLOR DISPLAY



\*See warranty conditions on our website: [www.president-electronics.us](http://www.president-electronics.us)

Group  
**PRESIDENT**  
ELECTRONICS USA

2239/11-23



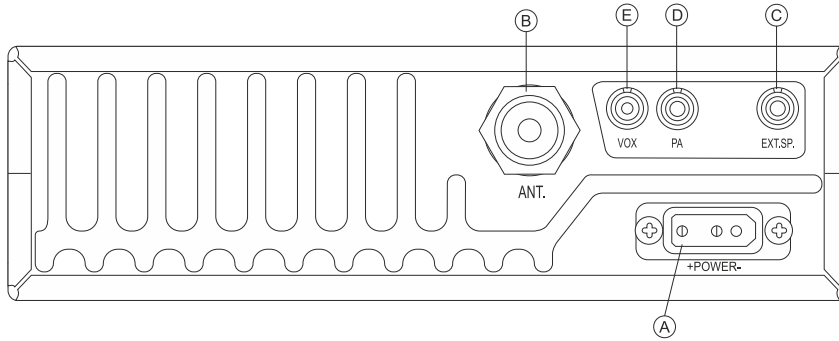
VOX built in

HEAD OFFICE: USA - 1007 Collier Center Way, Naples, Florida 34110  
Web: <http://www.president-electronics.us> • Phone: +1 239.302.3100  
Email: [info@president-electronics.us](mailto:info@president-electronics.us)

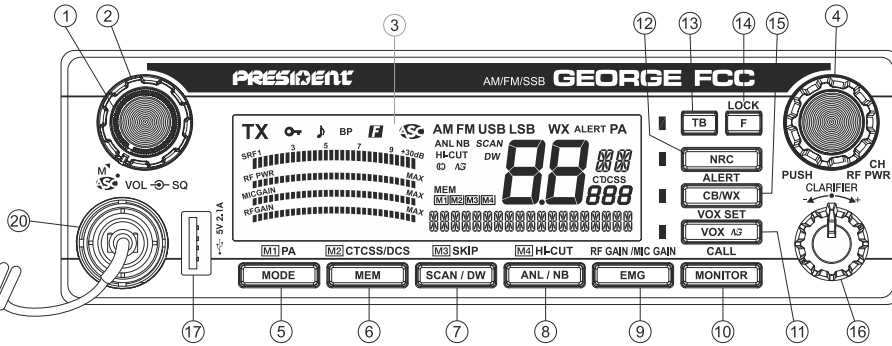
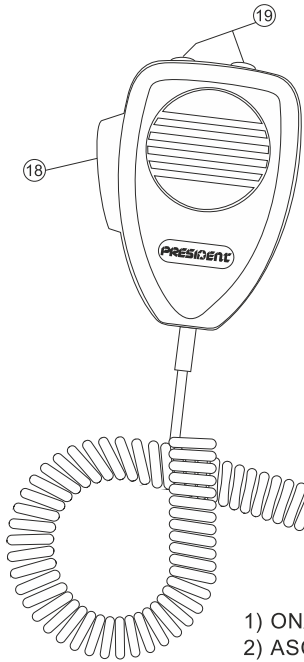


FC IC

14 + 7	DUAL WATCH
14 + 11	Noise Gate
18 + 4	RF POWER
18 + 9	MIC GAIN
18 + 10	CALL



- A) DC-POWER TERMINAL (13,2 V)
- B) ANTENNA CONNECTOR (SO-239)
- C) EXTERNAL SPEAKER JACK (8 Ω, Ø 3,5 mm)
- D) PA (Public Address) SPEAKER JACK (8 Ω, Ø 3,5 mm)
- E) JACK FOR OPTIONAL VOX MIKE (Ø 2,5 mm)



- 1) ON/OFF ~ VOLUME
- 2) ASC (Automatic Squelch Control) ~ SQUELCH
- 3) DISPLAY LCD
- 4) CH SELECTOR BUTTON ~ RF POWER
- 5) MODE ~ PA ~ M1
- 6) MEMORY ~ CTCSS / DCS ~ M2
- 7) SCAN / DW ~ SCAN SKIP ~ M3
- 8) ANL / NB ~ HI-CUT ~ M4
- 9) EMERGENCY CHANNELS ~ RF GAIN / MIC GAIN
- 10) MONITOR ~ CALL
- 11) VOX / NOISE GATE ~ VOX SET
- 12) NRC
- 13) TALKBACK
- 14) F - LOCK
- 15) CB / WX ~ ALERT
- 16) CLARIFIER
- 17) USB CHARGING PLUG
- 18) PTT (Push To Talk)
- 19) UP/DN KEYS ON MICROPHONE
- 20) 6 PIN MICROPHONE PLUG

## 1) GENERAL

- Channels : 40
- Modulation modes : AM/FM/USB/LSB
- Frequency range : 26.965 MHz to 27.405 Mhz
- Antenna impedance : 50 ohms
- Power supply : 13.2 V
- Dimensions : 7,28 x 6.77 x 2.2 inches  
185 x 172 x 56 mm
- Weight : 2.63 lbs / 1.190 kg
- Supplied accessories : Electret UP/DOWN microphone with support, mounting cradle, screws and fused power cord.

## 2) EMISSION

- Frequency allowance : ± 200 Hz
- Carrier power : 4 W (AM/FM)  
12 W PEP (USB/LSB)
- Spurious emission : < 4 nW (-54 dBm)
- Audio response : 300 Hz to 3 KHz
- Emitted power in the adj. channel : < 20 μW
- Microphone sensitivity : 3.0 mV
- Max. drain : < 5A (13.2V)
- Modul. signal distortion : 2 %

## 3) RECEPTION

- Max. sensitivity at 20 dB sinad : 0.5 μV - 113 dBm (AM)  
0.35 μV - 116 dBm (FM)  
0.28 μV - 118 dBm (USB/LSB)
- Frequency response : 300 Hz to 3 kHz
- Adj. channel selectivity : 60 dB
- Max. audio power : 3 W
- Squelch sensitivity : min. 0.2 μV - 120 dBm  
max. 1 mV - 47 dBm
- Frequency image rejection rate : 60 dB
- Intermediate frequency rejection rate : 70 dB
- Max. drain : 200 ~ 600 mA

# Specifications

