



AC to DC Converter & Charger

AC to DC CONVERTER & CHARGER

SRV "STANDALONE" RV SERIES

32, 45, 55, 60, and 75 Amp models

KEY FEATURES

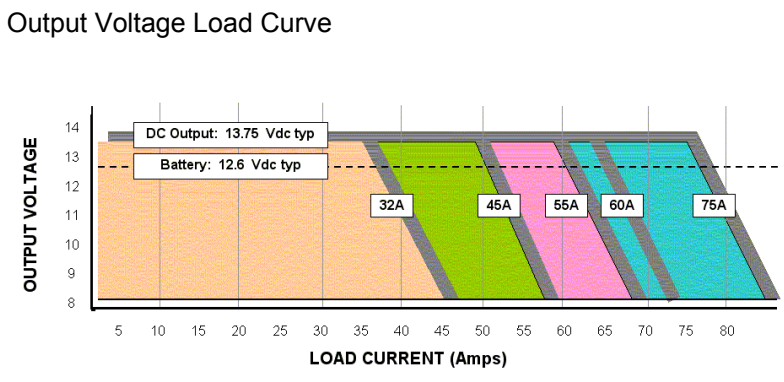
- Ideal electrical center for RV use
- 32, 45, 55, 60, 75 Amp DC models
- 105-130 Input VAC operation
- > 85% Efficiency
- < 1% Load Regulation
- Quiet Fan Cooling
- UL and cUL certified. EMI: FCC-15
- Over-temp, over-current protection
- Reversed-voltage protection
- Safe, cool, quiet & reliable operation
- Filtered Converter / Charger power
- 2 Year Limited Warranty



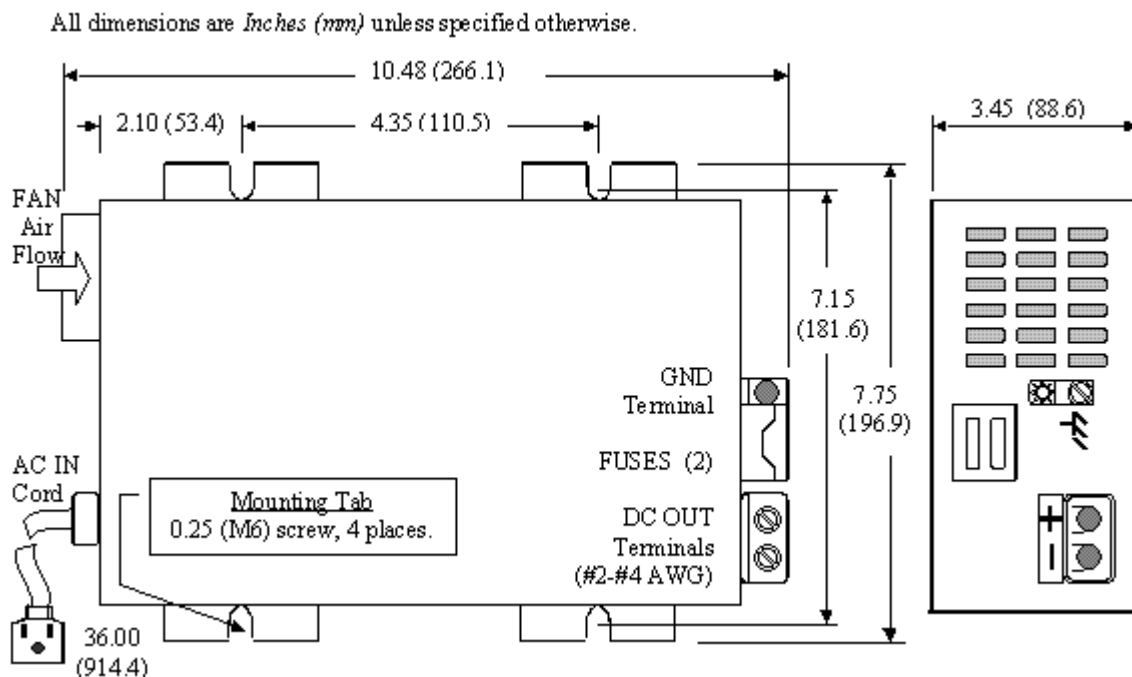
Fortron Power technology integrates safe, cool, reliable converter/charging operation in a compact design weighing six pounds. The Converter/Charger safeguards against damage with over-temperature, over-current and reversed-voltage protection. Filtered power ensures smooth optimum DC operation. The thermostatically controlled fan reduces noise and improves performance in warmer environments. The full output power is available for battery charging.

SPECIFICATIONS

ELECTRICAL

Input Voltage	105 – 130 VAC	<h4>Output Voltage Load Curve</h4>  <p>The graph plots Output Voltage (8V to 14V) against Load Current (0A to 80A). A dashed line indicates a battery voltage of 12.6 Vdc typ. The DC output is 13.75 Vdc typ. The graph shows the performance of models 32A, 45A, 55A, 60A, and 75A, with their respective maximum load currents marked on the x-axis.</p>
Input Frequency	58 – 62 Hz	
Input Current:	(max values)	
▶ Model SRV 32	7 amps	
▶ Model SRV 45	10 amps	
▶ Model SRV 55	13 amps	
▶ Model SRV 60	10 amps	
▶ Model SRV 75	13 amps	
Ripple and Noise (max)	200mv peak to peak	
Output Current:	(at 13.75 Vdc)	
▶ Model SRV 32	32 amps	
▶ Model SRV 45	45 amps	
▶ Model SRV 55	55 amps	
▶ Model SRV 60	60 amps	
▶ Model SRV 75	75 amps	
Output Voltage	13.75 +/- 0.2 VDC	

MECHANICAL



Certifications: UL: UL, cUL. EMI: FCC – 15

Warranty 2 years

Shipping Weight 6 pounds

