

# WALKER II FCC



*Owner's manual / Manual del usuario  
Manuel d'utilisation / Manual do usuário*

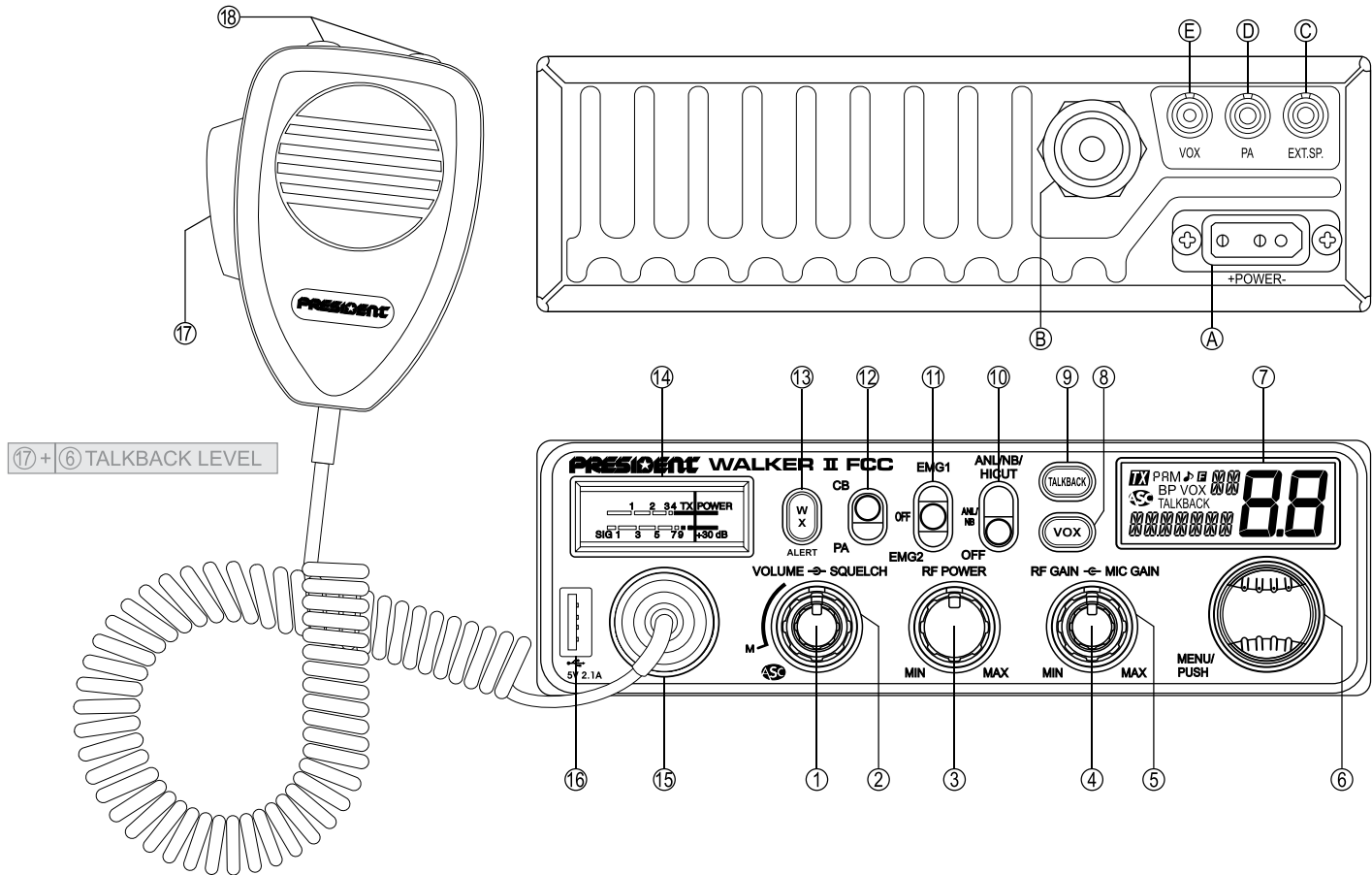
with / con / avec / com



# PRESIDENT

**Your PRESIDENT WALKER II FCC at a glance**

**Un vistazo a vuestro PRESIDENT WALKER II FCC**



**Votre PRESIDENT WALKER II FCC en un coup d'œil**

**Uma olhada no seu PRESIDENT WALKER II FCC**

## SUMMARY

### English

INSTALLATION .....	5
HOW TO USE YOUR TRANSCEIVER.....	7
MENU .....	10
FUNCTION WITH PTT SWITCH .....	12
TECHNICAL CHARACTERISTICS.....	13
HOW TO TRANSMIT OR RECEIVE A MESSAGE .....	13
TROUBLE SHOOTING.....	13
GLOSSARY.....	13
GENERAL WARRANTY CONDITIONS .....	15
FREQUENCY AND WEATHER CHANNEL TABLES.....	55

## SOMMAIRE

### Français

INSTALLATION .....	30
UTILISATION .....	32
MENUS .....	35
FONCTION AVEC LA PÉDALE D'ÉMISSION PTT .....	38
CARACTÉRISTIQUES TECHNIQUES.....	38
GUIDE DE DÉPANNAGE.....	39
COMMENT ÉMETTRE OU RECEVOIR UN MESSAGE .....	39
GLOSSAIRE .....	39
CONDITIONS GÉNÉRALES DE GARANTIE .....	41
TABLEAUX DES FRÉQUENCES CB ET MÉTÉO .....	55

## SUMARIO

### Español

INSTALACIÓN .....	17
UTILIZACIÓN .....	19
MENÚS .....	22
FUNCIÓN CON LA PALANCA DE EMISIÓN PTT.....	25
CARACTERÍSTICAS TÉCNICAS.....	25
GUÍA DE PROBLEMAS.....	25
COMO EMITIR O RECIBIR UN MENSAJE .....	26
LÉXICO.....	26
CONDICIONES GENERALES DE GARANTÍA .....	28
TABLAS DE FRECUENCIAS CB Y METEOROLÓGICAS .....	55

## SUMÁRIO

### Português

INSTALAÇÃO .....	43
UTILIZAÇÃO .....	45
MENUS .....	48
FUNÇÃO COM A ALAVANCA DE EMISSÃO PTT.....	51
CARACTERÍSTICAS TÉCNICAS.....	51
GUIA DE PROBLEMAS.....	52
COMO TRANSMITIR OU RECEBER UMA MENSAGEM.....	52
GLOSSÁRIO .....	52
CONDIÇÕES GERAIS DE GARANTIA .....	54
TABELAS DE FREQUÊNCIAS CB E METEOROLÓGICAS .....	55



**WARNING:** This product can expose you to chemicals including Lead, which is known to the State of California to cause cancer and birth defects or other reproductive harm. For more information go to [www.P65Warnings.ca.gov](http://www.P65Warnings.ca.gov).

**AVERTISSEMENT :** Ce produit peut vous exposer à des agents chimiques, y compris le plomb, identifiés par l'État de Californie comme pouvant causer le cancer et des malformations congénitales ou autres effets nocifs sur la reproduction. Pour de plus amples informations, prière de consulter le site [www.P65Warnings.ca.gov](http://www.P65Warnings.ca.gov).

## **WARNING !**

*Before using, be careful never to transmit without first having connected the antenna (connection "B" situated on the back panel of the equipment) or without having set the SWR (Standing Wave Ratio) ! Failure to do so may result in destruction of the power amplifier, which is not covered by the guarantee.*

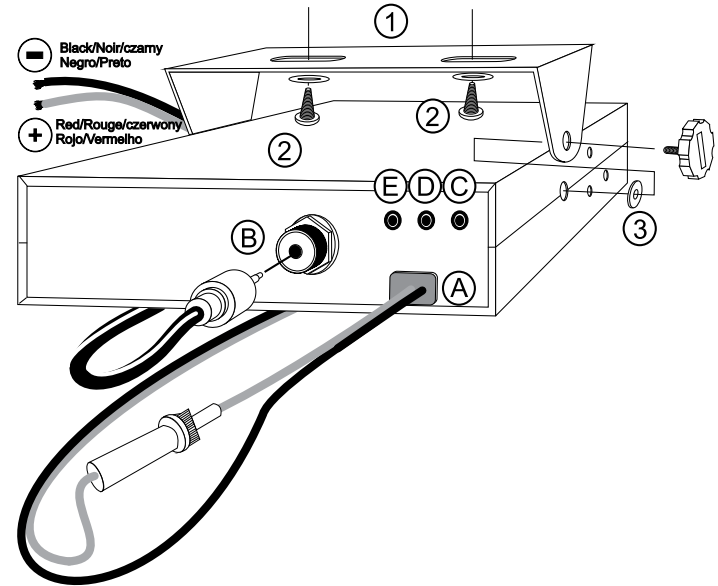
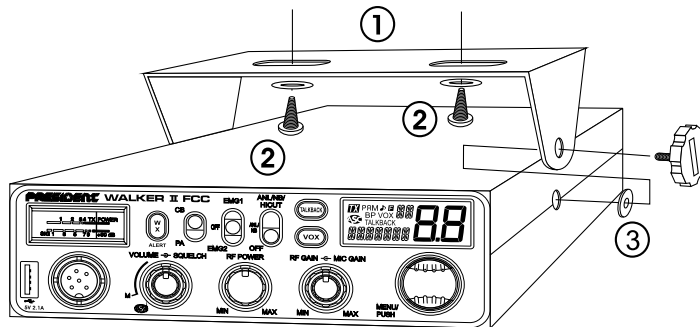
***The guarantee of this transceiver is valid only in the country of purchase.***

Welcome to the world of the new generation of CB radios. The new **PRESIDENT** range gives you access to top performance transceiver equipment. With the use of up-to-date technology, which guarantees unprecedented quality, your **PRESIDENT WALKER II FCC** is a new step in personal communication and is the surest choice for the most demanding of professional CB radio users. To ensure that you make the most of all its capacities, we advise you to read carefully this manual before installing and using your **PRESIDENT WALKER II FCC**.

## A) INSTALLATION

### 1) WHERE AND HOW TO MOUNT YOUR MOBILE CB RADIO

- You should choose a well ventilated place most appropriate setting from a simple and practical point of view.
- Your CB radio should not interfere with the driver or the passengers.
- Remember to provide for the passing and protection of different wires (e.g. power, antenna, accessory cabling) so that they do not in any way interfere with the driving of the vehicle.
- To install your equipment, use the cradle (1) and the self-tapping screws (2) provided (drilling diameter 1.126 in / 3.2 mm). Take care not to damage the vehicle's electrical system while drilling the dash board.
- Do not forget to insert the rubber joints (3) between the CB and its support as these have a shock-absorbing effect which permits gentle orientation and tightening of the set.
- Choose where to place the microphone support and remember that the microphone cord must stretch to the driver without interfering with the controls of the vehicle.



- **N.B.:** As the transceiver has a frontal microphone socket, it can be set into the dash board. In this case, you will need to add an external loud speaker to improve the sound quality of communications (connector EXT SP situated on the back panel: C). Ask your dealer for advice on mounting your CB radio.

### 2) ANTENNA INSTALLATION

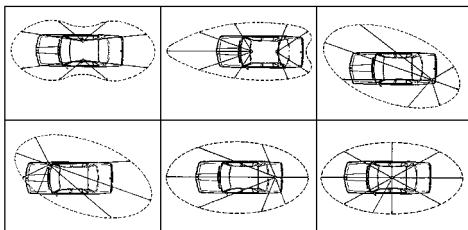
#### a) Choosing your antenna

- For CB radios, the longer its results. Your dealer will be able to help you with your choice of antenna.

#### b) Mobile antenna

- Must be fixed to the vehicle where there is a maximum of metallic surface (ground plane), away from windscreen mountings.
- If you already have a radio-telephone antenna installed, the transceiver antenna should be higher than this.

- There are two types of antenna: pre-regulated which should be used on a good ground plane (e.g. car roof or lid of the boot), and adjustable which offer a much larger range and can be used on a smaller ground plane (see § **HOW TO ADJUST SWR**, below).
- For an antenna which must be fixed by drilling, you will need a good contact between the antenna and the ground plane. To obtain this, you should lightly scratch the surface where the screw and tightening star are to be placed.
- Be careful not to pinch or flatten the coaxial cable (as this runs the risk of break down and/or short-circuiting).
- Connect the antenna (**B**).



**OUTPUT RADIUS PATTERN**

### c) Fixed antenna

- A fixed antenna should be installed in as clear space as possible. If it is fixed to a mast, it will perhaps be necessary to stay it, according to the laws in force (you should seek professional advice). All PRESIDENT antennas and accessories are designed to give maximum efficiency to each CB radio within the range.

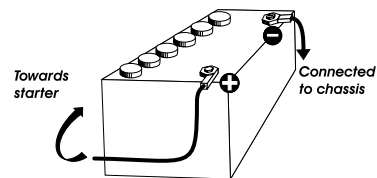
## 3) POWER CONNECTION

Your PRESIDENT WALKER II FCC is protected against an inversion of polarities. However, before switching it on, you are advised to check all the connections. Your equipment must be supplied with a continued current of 12 volts (**A**). Today, most cars and lorries are negative earth. You can check this by making sure that the negative terminal of the battery is connected either to the engine block or to the chassis. If this is not the case, you should consult your dealer.

**WARNING:** Trucks generally have two batteries and an electrical installation of 24 volts, in which case it will be necessary to insert a 24/12 volt converter (type CV 24/12 PRESIDENT) into the electrical circuit. The following connection steps should be carried out with the power cable disconnected from the set.

- Check that the battery is of 12 volts.
- Locate the positive and negative terminals of the battery (+ is red and - is black). Should it be necessary to lengthen the power cable, you should use the same or a superior type of cable.
- If it is necessary to connect your transceiver to a permanent (+) and (-). We advise you to connect the power cable directly to the battery (as the connection of the transceiver cable to the wiring of the car-radio or other parts of the electrical circuit may, in some cases, increase the likelihood of interference).
- Connect the red wire (+) to the positive terminal of the battery and the black (-) wire to the negative terminal of the battery.
- Connect the power cable to your CB radio.

**WARNING:** Never replace the original fuse by one of a different value.



## 4) BASIC OPERATIONS TO BE CARRIED OUT BEFORE USING YOUR SET FOR THE FIRST TIME (without transmitting and without using the "push-to-talk" switch on the microphone)

- Connect the microphone.
- Check the antenna connections.
- Turn the set on by turning the **VOLUME** knob (1) clockwise.
- Turn the **SQUELCH** knob (2) to minimum **M**.
- Adjust the volume to a comfortable level.
- Go to channel 20 by using rotary **PUSH** knob (6) or **UP/DN** buttons (18) on the microphone.

## 5) HOW TO ADJUST SWR (Standing Wave Ratio)

**Warning:** This must be carried out when you use your radio for the first time and whenever you re-position your antenna. This adjustment must be carried out in an obstacle-free area.

### \* Adjustment with internal SWR-meter

**NEW, EASY AND VERY HANDY-** Adjustment of SWR meter by beep tones

See menu **SWR ADJUSTMENT** function page 12.

\* **Adjustment with external SWR-meter (e.g. TOS-1 PRESIDENT)**

a) **To connect the SWR meter :**

- Connect the SWR meter between the CB radio and the antenna as close as possible to the CB (use a maximum of 15.75 in / 40 cm cable, type President CA 2C).

b) **To adjust the SWR meter:**

- Set the CB on channel 20.
- Put the switch on the SWR-meter to position **FWD** (calibration).
- Press the **PTT** "push-to-talk" switch (17) on the microphone to transmit.
- Bring the index needle to ▼ by using the calibration key.
- Change the switch to position **REF** (reading of the SWR level). The reading on the Meter should be as near as possible to 1. If this is not the case, readjust your antenna to obtain a reading as close as possible to 1. (A SWR reading between 1 and 1.8 is acceptable).
- It will be necessary to recalibrate the SWR meter after each adjustment of the antenna.

**WARNING:** In order to avoid any losses and attenuations in cables used for connection between the radio and its accessories, PRESIDENT recommends to use a cable with a length inferior to 118.11 in / 3 m).

Your transceiver is now ready for use.

## B) HOW TO USE YOUR TRANSCEIVER

### 1) ON/OFF ~ VOLUME

**Turn on :** turn **VOLUME** knob (1) clockwise. If the function **KEY BEEP** is active (see menu **KEY BEEP** page 10), the radio emits a beep. The radio is "on". Display shows the microphone type setup during 1 second. See menu **MIC TYPE** page 12.

**Turn Off :** turn **VOLUME** knob (1) counterclockwise until radio emits click sound. Your radio is "off".



**Volume Adjustment:** rotate **VOLUME** knob (1) clockwise to adjust volume. Turn the same knob counterclockwise to reduce the sound level.

### 2) ASC (Automatic Squelch Control) ~ SQUELCH

**Suppresses** undesirable background noises when there is no communication. Squelch does not affect neither sound nor transmission power, but allows a considerable improvement in listening comfort.

### a) ASC: AUTOMATIC SQUELCH CONTROL

Worldwide patent, a **PRESIDENT** exclusivity

Turn the **SQUELCH** knob (2) anti-clockwise into **ASC** position.  appears on LCD. No repetitive manual adjustment and a permanent improvement between the sensitivity and the listening comfort when **ASC** is active. This function can be disconnected by turning the switch clockwise. In this case the squelch adjustment becomes manual again.  disappears from LCD.

### b) MANUAL SQUELCH

Turn the **SQUELCH** knob (2) clockwise to the exact point where all background noise disappears. This adjustment should be done with precision as, if set to maximum (fully clockwise), only the strongest signals will be received.

### 3) RF POWER

In **TX** mode, turn the **RF POWER** knob (3) to **adjust** the transmission power; clockwise to **increase**, counterclockwise to **decrease** the **RF POWER**.

### 4) MIC GAIN

Adjustment of the sensitivity level of the microphone.

*The normal position of this function is set to maximum clockwise.*

### 5) RF GAIN

Adjustment of the reception sensitivity. Maximum position in the case of long-distance transmission. You can **decrease** the **RF GAIN**, to avoid distortions, when the interlocutor is near. Reduce the gain on reception in the case of a close communication with a correspondent not equipped with a **RF POWER**.

*The normal position of this function is at maximum clockwise.*

### 6) ROTARY "PUSH" KNOB

In normal operation, turn rotary **PUSH** knob (6) to adjust channel. Clockwise to **increase**, counterclockwise to **decrease** the channel.

In **MENU** mode (long press **PUSH** knob (6) for 3 seconds to activate this mode). See § **MENU** page 10.

1. Turn rotary **PUSH** knob (6) to **select** the function to set.
2. Press **PUSH** knob (6) to **validate**. The parameter of the chosen function blinks on LCD.
3. Turn rotary **PUSH** knob (6) to **change** the value of the parameter.
4. New press **PUSH** knob (6) to **validate** the chosen value. The parameter stops blinking and if the function has more than one parameter, the next parameter blinks.

See § **UP/DN BUTTONS ON THE MICROPHONE** page 9.

## 7) LCD



	Indicates transmission
	PA (Public Address) mode activated
	AM modulation
	ROGER BEEP function activated
	KEY BEEP function activated
	Automatic Squelch Control activated
	VOX function activated
	SCAN function activated (the dot blinks)
	TALKBACK function activated
	MENU mode activated
	Indicates selected channel (large digits)
	The Weather Channel mode is activated
	ALERT function is activated
	Indicates frequency or menu

## 8) VOX ~ VOX SET

**VOX** (short press)

The **VOX** function allows *transmitting* by speaking into the original microphone (or in the optional vox microphone) without pressing the **PTT** switch (17). The use of an optional vox microphone connected to the rear panel of the transceiver (E) *disables* the original microphone. Press shortly **VOX** key (8) in order to *activate* the **VOX** function. “**VOX**” appears on the display. Press shortly again the **VOX** key (8) to *disable* the function. “**VOX**” disappears.

**VOX SET** (long press)

Press the **VOX** key (8) for 2 seconds in order to *activate* the **VOX Adjustment** mode.

Three adjustments are possible: Sensitivity **SET L** / Anti-vox level **SET R** / Vox delay time **SET T** (over and over).

- To *change* a setting other than the one displayed, press the **VOX** key (8) to select the next setting or...
- Turn the rotary **PUSH** knob (6) or press the **UP/DN** (18) keys on the microphone to *modify* the setting.
- Press again the **VOX** key (8) to *store* and *move* to next setting...
- Once the settings done, press the **PTT** switch (17) key to *exit* the **VOX Adjustment** mode. If no adjustment is made for 5 seconds, the unit automatically exits the function.
  - Sensitivity SET L**: allows the adjustment of the microphone (original one or optional vox) for an optimum transmission quality. Adjustable level from 1 (high level) to 9 (low level). Default value: 5.
  - Anti-Vox SET R**: allows disabling the transmission generated by the surrounding noise. The level is adjustable. **BF** (according the squelch level) and from 1 (without anti-vox) to 9 (low level). Default value: 9.
  - Delay time SET T**: allows avoiding the sudden cut of the transmission by adding a delay at the end of speaking. The level is adjustable from 1 (short delay) to 9 (long delay). Default value; 1.

## 9) TALKBACK

This function allows you to *hear* your own modulation in the optional internal or external speaker connected to the EXT jack. MS. (C).

Press the **TALKBACK** key (9) to *activate/deactivate* the **TALKBACK** function. When the function is active, “**TALKBACK**” flashes in the LCD for 3 seconds, displaying the current level of the **TALKBACK**, and remains then permanently displayed. See § TALKBACK LEVEL page 12.

## 10) NB/ANL - HIC FILTERS

3 positions switch: **Low position**: no filter is activated. **Central position**: only **ANL** and **NB** filters are enabled. **High position**: all filters (**ANL**, **NB** and **HI-CUT**) are activated.

**NB**: Noise Blanker / **ANL**: Automatic Noise Limiter. These filters allow reducing back ground noises and some reception interferences.

**HI-CUT**: Cuts out the high frequency interferences and has to be used in accordance with the reception conditions.



## 11) PRIORITY CHANNELS

Priority channels will be automatically **selected** by switching this key (11). 3 positions switch: **EMG1** / Priority channel 1 is activated. **EMG2** / Priority channel 2 is activated. **OFF** / No priority channel is activated.

The default priority channels are channel **9 (EMG1)** and channel **19 (EMG2)**.

See the **EMG SET 1** and **EMG SET 2** menu page 11 to set priority channels.

**Note:** Activating a priority channel no longer allows you to use the **PA** or **WX** modes, or to start the **SCAN** function, if the **KEY BEEP** function is active, an error beep is emitted. “**EMG**” and the channel blink to indicate unauthorized handling. Turn the switch (11) to the **OFF** position to use these functions.

## 12) CB/PA

Switch between **CB** and **PA** (Public Address) mode.

An external optional speaker can be connected to the unit to the PA.SP jack on the rear panel. (D). Turn the **MIC GAIN** knob (4) to adjust the **PA** volume.

For details on operating in PA mode, see the **PA SETTING** menu on page 12.

## 13) WX MODE ~ ALERT

**WX MODE** (short press)


**Note:** **CB** functions are not allowed in **WX** mode. If a user presses a not allowed key when the **KEY BEEP** function is activated, the radio sounds an error tone.

Select a channel other than the **EMG1** or **EMG2** emergency channels. The **PRIORITY CHANNEL** switch (11) must be in the **OFF** position. Press briefly the **WX** key (13) to alternate between **CB** and **WX** modes. When **WX** mode is active, “**WX**” is displayed. **WX** mode allows you to listen to weather reports. When this mode is turned on, turn the rotary **PUSH** knob (6) or use the **UP/DN** (18) keys on the microphone to search, through the 7 weather channels, for the channel corresponding to your location (See **WEATHER FREQUENCY TABLE** page 55).

The display shows the selected channel.

**ALERT** (long press)

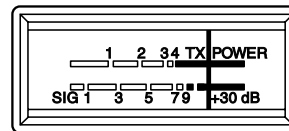
**Note:** The SIREN tone only sounds in **PA** or **CB** mode. It does not sound in **WX** mode.

Long press the **ALERT** key (13), to **activate/deactivate** the **ALERT** function. When the function is activated the last digit of frequency becomes **A** (  ). If the function is activated and a tone is detected at

the selected weather channel, then the unit sounds “SIREN” tone. The unit cancels **CB** or **PA** mode and goes to **WX** mode.

During a SIREN tone sound, press **PTT** key (17) to stop the sound.

## 14) BARGRAPH



*Indicates* the reception level and the emitted power level.

## 15) 6 PIN MICROPHONE PLUG



The plug is located on the front panel of the transceiver and makes the setting of the equipment into the dashboard easier.

See *Cabling Diagram* page 56.

## 16) USB CHARGING SOCKET

The **USB** socket (16) can be used to charge smartphones, tablets or other rechargeable devices with 5 V - 2.1 A.

## 17) PTT

Transmission key, press to **transmit** a message,  is displayed and release to **listen to** an incoming communication,  disappears.

## TOT (Time Out Timer)

If the **PTT** switch (17) key is pressed for more than 5 minutes, the display starts blinking and the transmission **ends**. A beep will sound until the **PTT** switch (17) key is released.

## 18) UP/DN BUTTONS ON MICROPHONE ~ SCAN

**UP/DN BUTTONS ON MICROPHONE** (short press)

In normal use, press **UP/DN** buttons (18) on the microphone to **change** the channel. **UP** to **increase** and **DN** to **decrease** the channel.

In **MENU** mode (press the **PUSH** knob (6) for about 3 seconds to activate this mode (see § **MENU** page 10)), the **UP** or **DN** buttons (18) allows to **select** the menu to be set.

See **ROTARY “PUSH” KNOB** page 7.

**SCAN** (long press)

Press and hold the **UP** or **DN** button (**18**) to *activate* the **SCAN** function. The dot between the two channel digits flashes to indicate that the function is active.

The scanning stops as soon as there is a busy channel. The scanning automatically starts 3 seconds after the end of the transmission and if no key is activated during 3 s. In **SCANNING** mode, turn the **PUSH** rotary knob (**6**) or press the **UP/DN** buttons (**18**) on the microphone to change scan direction.

**CB channel Scan**

In **CB** mode press and hold the **UP** or **DN** button (**18**) for ± 7 seconds or until a beep sounds to activate the **CB channel Scan**.

Press **PTT** switch (**17**) to exit **CB Channel Scan**. The dot between the two channel digits disappears from LCD.

**WX channel Scan**

In **WX** mode press and hold the **UP** or **DN** button (**18**) for ± 3 seconds or until a beep sounds to activate the **WX channel Scan**.

Press for **3 seconds** the **TALKBACK** key (**9**) to exit **WX Channel Scan**. The dot between the two channel digits disappears from LCD.

**Note:** The WX channel scan can run in the background while using the **CB** mode.

**A) DC-POWER TERMINAL (13,8 V)****B) ANTENNA CONNECTOR (SO-239)****C) JACK FOR EXTERNAL OPTIONAL SPEAKER (8 Ω, Ø 3.5 mm)****D) JACK FOR PA OPTIONAL SPEAKER (Public Address) (8 Ω, Ø 3.5 mm)****E) JACK FOR OPTIONAL VOX MICROPHONE (8 Ω, Ø 2.5 mm)****C) MENU**

The order of 11 functions is as described in this manual. However, the function displayed by entering the **MENU** will be the last function modified by user.

The procedure is the same whatever the function is:

Press **PUSH** knob (**6**) for 3 seconds to *enter MENU*. **[F]** is displayed.

1. Turn the rotary **PUSH** knob (**6**) or use **UP/DN** buttons (**18**) on the microphone to *select* the menu.
2. Press **PUSH** knob (**6**) to *validate*. The **parameter** of the chosen function blinks on the display.

3. Turn the rotary **PUSH** knob (**6**) or use **UP/DN** buttons (**18**) on the microphone to *modify* the value of the parameter.
4. New press **PUSH** knob (**6**) to *validate* the chosen value. The parameter stops blinking and if the function has more than one parameter, the next parameter blinks.
5. If no key is pressed, the unit exits **MENU** after 10 seconds. **[F]** disappears from the display.

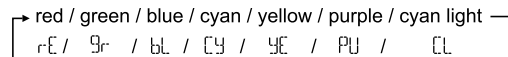
**Note:** **UP/DN** buttons (**18**) on the microphone have the same effect as the rotation of the rotary **PUSH** knob (**6**). **PTT** switch (**17**) *validates* the last setting and *exists MENU*. **[F]** disappears.

**1) COLOR**

This function allows to *choose* the backlight color of the LCD.

Press **PUSH** knob (**6**) for 3 seconds to *enter MENU*. **[F]** is displayed.

1. Turn the rotary **PUSH** knob (**6**) or use **UP/DN** buttons (**18**) on the microphone to *select* the **COLOR** function.
2. Press **PUSH** knob (**6**) to *validate*. The current **color** blinks on LCD.
3. Turn the rotary **PUSH** knob (**6**) or use **UP/DN** buttons (**11**) on the microphone to *select* the color. 7 available colors are displayed over and over :



4. New press **PUSH** knob (**6**) to *validate* the chosen **color**. The **color** stops blinking. **a)** Go back to point 1 to *adjust* another function or **b)** Press the **PTT** switch (**17**) to *validate* and *exit MENU*. **[F]** disappears in the display.
5. If no key is pressed, the unit *exits MENU* after 10 seconds, **[F]** disappears in the display.

Default **COLOR** is rE (red).

**2) KEY BEEP**

When the function is activated, a beep *sounds* when a key is pressed, by changing the channel etc. "**BP**" appears on the display when the function is active.

Press **PUSH** knob (**6**) for 3 seconds to *enter MENU*. **[F]** is displayed.

1. Turn the rotary **PUSH** knob (**6**) or use **UP/DN** buttons (**18**) on the microphone to *select* the **KEYBEEP** function.
2. Press **PUSH** knob (**6**) to *validate*. The current status blinks on LCD.
3. Turn the rotary **PUSH** knob (**6**) or use **UP/DN** buttons (**18**) on the microphone to *activate* **[On]** / *deactivate* **[Off]** the function.
4. New press **PUSH** knob (**6**) to *validate*. The parameter stops blinking. **a)** Go back to point 1 to *adjust* another function or **b)** Press the **PTT** switch (**17**) to *validate* and *exit MENU*. **[F]** disappears.

- If no key is pressed, the unit *exits MENU* after 10 seconds, **[F]** disappears in the display.

Default **KEY BEEP** is **[On]**.

### 3) ROGER BEEP

When the function is active, the icon **[M]** appears on the display. The Roger Beep *sounds* when the **PTT** switch (17) on the microphone is released in order to let your correspondent speak. Historically as transceiver is a "simplex" communication mode, it is not possible to speak and to listen at the same time (as it is the case with a telephone). Once someone had finished talking, he said "Roger" in order to prevent his correspondent that it was his turn to talk. The word "Roger" has been replaced by a significant beep. There comes "Roger beep" from.

Press **PUSH** knob (6) for 3 seconds to *enter MENU*. **[F]** is displayed.

- Turn the rotary **PUSH** knob (6) or use **UP/DN** buttons (18) on the microphone to *select* the **ROG BEEP** function.
- Press **PUSH** knob (6) to *validate*. The current status blinks on LCD.
- Turn the rotary **PUSH** knob (6) or use **UP/DN** buttons (18) on the microphone to *activate [On] / deactivate [Off]* the function.
- New press **PUSH** knob (6) to *validate*. The parameter stops blinking. **a)** Go back to point 1 to *adjust* another function or **b)** Press the **PTT** switch (17) to *validate* and *exit MENU*. **[F]** disappears.
- If no key is pressed, the unit *exits MENU* after 10 seconds, **[F]** disappears in the display.

Default **ROGER BEEP** is **[Off]**.

### 4) TONE

The **TONE** function is used to *change* the tone on reception. 11 levels from **-5** to **+5**.

Press **PUSH** knob (6) for 3 seconds to *enter MENU*. **[F]** is displayed.

- Turn the rotary **PUSH** knob (6) or use **UP/DN** buttons (18) on the microphone to *select* the **TONE** function.
- Press **PUSH** knob (6) to *validate*. The value of the **tone** blinks on LCD.
- Turn the rotary **PUSH** knob (6) or use **UP/DN** buttons (18) on the microphone to *select* a new value.
- New press **PUSH** knob (6) to *validate*. The parameter stops blinking. **a)** Go back to point 1 to *adjust* another function or **b)** Press the **PTT** switch (17) to *validate* and *exit MENU*. **[F]** disappears.
- If no key is pressed, the unit *exits MENU* after 10 seconds, **[F]** disappears in the display.

Default **TONE** is **[0]**.

### 5) DIMMER

The **DIMMER** function allows to *adjust* the brightness (from **1** to **9**) of the backlight or to set no backlight (**[Off]**).

Press **PUSH** knob (6) for 3 seconds to *enter MENU*. **[F]** is displayed.

- Turn the rotary **PUSH** knob (6) or use **UP/DN** buttons (18) on the microphone to *select* the **DIMMER** function.
- Press **PUSH** knob (6) to *validate*. The value of the **dimmer** blinks on LCD.
- Turn the rotary **PUSH** knob (6) or use **UP/DN** buttons (18) on the microphone to *select* a new value.
- New press **PUSH** knob (6) to *validate*. The parameter stops blinking. **a)** Go back to point 1 to *adjust* another function or **b)** Press the **PTT** switch (17) to *validate* and *exit MENU*. **[F]** disappears.
- If no key is pressed, the unit *exits MENU* after 10 seconds, **[F]** disappears in the display.

Default **DIMMER** value is **9**.

### 6) EMG SET 1

Allows to *set* the Priority Channel 1.

Press **PUSH** knob (6) for 3 seconds to *enter MENU*. **[F]** is displayed.

- Turn the rotary **PUSH** knob (6) or use **UP/DN** buttons (18) on the microphone to *select* the **EMG 1** function.
- Press **PUSH** knob (6) to *validate*. The **channel** blinks on LCD.
- Turn the rotary **PUSH** knob (6) or use **UP/DN** buttons (18) on the microphone to *select* the **channel**.
- New press **PUSH** knob (6) to *validate*. The **channel** stops blinking. **a)** Go back to point 1 to *adjust* another function or **b)** Press the **PTT** switch (17) to *validate* and *exit MENU*. **[F]** disappears.
- If no key is pressed, the unit *exits MENU* after 10 seconds, **[F]** disappears in the display.

Default Priority channel 1 is **9**.

See § **PRIORITY CHANNELS** page 9.

### 7) EMG SET 2

Allows to *set* the Priority Channel 2.

Press **PUSH** knob (6) for 3 seconds to *enter MENU*. **[F]** is displayed.

- Turn the rotary **PUSH** knob (6) or use **UP/DN** buttons (18) on the microphone to *select* the **EMG 2** function.

Points **2** to **5** are identical to § **EMG SET 1**.

Default Priority channel 2 is **9**.

See § **PRIORITY CHANNELS** page 9.

## 8) SWR ADJUSTMENT

This function allows to adjust the SWR (Standing Wave Ratio) by beep tones. Press **PUSH** knob (6) for 3 seconds to *enter MENU*. **■** is displayed.

1. Turn the rotary **PUSH** knob (6) or use the **UP/DN** buttons (18) on the microphone to *select* the **SWR** function.
2. Press the rotary **PUSH** knob (6). The radio automatically goes to **TX** mode without pressing **PTT** switch (17). The **SWR** measurement starts. Measurement time is 5 minutes maximum. The remaining time is displayed.
3. Adjust your antenna.
4. The beep tone\* is continuous when SWR value is equal to **1.0**. The space between two beeps became longer when SWR value moves away from **1.0**. Display shows the **SWR** value. For example **2.5**.
5. Press **PTT** switch (17) to *exit MENU* mode. **■** disappears in the display.

\*Volume of the beep tone is adjustable with **VOLUME** knob (1). Please check that the beep volume is set to a comfortable listening level.

See § **HOW TO ADJUST SWR** page 6.

## 9) MIC TYPE

The PRESIDENT WALKER II FCC can be used with an electret microphone as well as with the dynamic one, 6-pin PRESIDENT (see the cabling diagram page 56). Turning on the unit, the type of the microphone is briefly displayed.

Press **PUSH** knob (6) for 3 seconds to *enter MENU*. **■** is displayed.

1. Turn the rotary **PUSH** knob (6) or use **UP/DN** buttons (18) on the microphone to *select* the **MIC** TP function.
2. Press **PUSH** knob (6) to *validate*. The current parameter blinks on LCD.
3. Turn the rotary **PUSH** knob (6) or use **UP/DN** buttons (18) on the microphone to *select* the type on the microphone **EL** (electret) or **d4** (dynamic).
4. New press **PUSH** knob (6) to *validate*. The parameter stops blinking. **a)** Go back to point 1 to *adjust* another function or **b)** Press the **PTT** switch (17) to *validate* and *exit MENU*. **■** disappears.
5. If no key is pressed, the unit *exits MENU* after 10 seconds, **■** disappears in the display.

Default type of microphone is **EL<sub>ET</sub>** (electret).

## 10) PA SETTING

This function allows to *select* the operating mode of Public Address.

Press **PUSH** knob (6) for 3 seconds to *enter MENU*. **■** is displayed.

1. Turn the rotary **PUSH** knob (6) or use **UP/DN** buttons (18) on the microphone to *select* the **PA** SET function.
2. Press **PUSH** knob (6) to *validate*. The current value blinks on LCD.

3. Turn the rotary **PUSH** knob (6) or use **UP/DN** buttons (18) on the microphone to *select* the operating mode of the PA : **IN**, **UF** or **PR**.
4. New press **PUSH** knob (6) to *validate*. The parameter stops blinking. **a)** Go back to point 1 to *adjust* another function or **b)** Press the **PTT** switch (17) to *validate* and *exit MENU*. **■** disappears.
5. If no key is pressed, the unit *exits MENU* after 10 seconds, **■** disappears in the display.

**IN**: the *modulation of the microphone* is transmitted to the external loudspeaker connected to jack PA.SP. (D). The *received signal* is transmitted to the internal loudspeaker (or external optional loudspeaker connected to jack EXT.SP (C)). "**PA**" blinks alternately with the modulation mode (AM).

**UF**: The reception is no more functional. Only the *modulation of the microphone* is transmitted to the Public Address loudspeaker connected to jack PA.SP. (D). **PR** and **PA** volume level are displayed.

**PR**: the *modulation of the microphone* and the *received signal* are transmitted to the Public Address loudspeaker connected to jack PA.SP. (D). **PA** **MODE**: "**PA**" blinks alternately with the modulation mode (AM).

The **MIC GAIN** knob (4) to *adjust* the audio level of the mode **PA**.

Default PA setting is: **IN**.

See § **PA (Public Address)** page 9.

## 11) RESET

Restores all factory settings.

Press **PUSH** knob (6) for 3 seconds to *enter MENU*. **■** is displayed.

1. Turn the rotary **PUSH** knob (6) or use **UP/DN** buttons (18) on the microphone to *select* the **RESET** function.
2. Press **PUSH** knob (6) to *validate*. **RL** blinks on LCD.
3. New press **PUSH** knob (6) to *reset*. The unit *exits MENU*. **■** disappears.
4. If no key is pressed, the unit *exits MENU* after 10 seconds or by a new long press on **PUSH** knob(6) key.

## D) FUNCTION WITH PTT SWITCH

### TALKBACK LEVEL

This function allows to adjust the volume level of the **TALKBACK**.

1. Activate the **TALKBACK** function (see § **TALKBACK** page 8).
2. Press and hold the **PTT** switch (17) then turn the rotary **PUSH** knob (6) to *increase* (clockwise) / *decrease* (counterclockwise) the volume level of the **TALKBACK**.
3. Release the **PTT** switch (17).

## E) TECHNICAL CHARACTERISTICS

### 1) GENERAL

- Channels : 40
- Modulation modes : AM
- Frequency range : from 26.965 MHz to 27.405 MHz
- Weather channels : from 162.400 MHz to 162.550 MHz
- Antenna impedance : 50 ohms
- Power supply : 13.8 V
- Dimensions : 6.692 (W) x 6.299 (D) x 2.047 (H) inches  
: 170 (W) x 160 (D) x 52 (H) mm
- Weight :  $\pm 2.43$  lbs / 1.1 kg
- Accessories supplied : 1 microphone electret UP/DOWN with support, mounting cradle, screws and fused power cord.

### 2) TRANSMISSION

- Frequency allowance : +/- 200 Hz
- Carrier power : 4 W
- Transmission interference : inferior to 4 nW (- 54 dBm)
- Audio response : 300 Hz to 3 kHz
- Emitted power in the adj. channel : inferior to 20  $\mu$ W
- Microphone sensitivity : 3.0 mV
- Drain : < 2 A max. (with modulation)
- Modulated signal distortion : 1,8 %

### 3) RECEPTION

- Maxi. sensitivity at 20 dB sinad : 0.5  $\mu$ V - 113 dBm
- Frequency response : 300 Hz to 3 kHz
- Adjacent channel selectivity : 60 dB
- Maximum audio power : 3 W
- Squelch sensitivity : minimum 0.2  $\mu$ V - 120 dBm  
maximum 1 mV - 47 dBm
- Frequency image rejection rate : 60 dB
- Intermediate frequency rej. rate : 70 dB
- Drain : 180 ~ 500 mA maximum

## F) TROUBLE SHOOTING

### 1) YOUR RADIO WILL NOT TRANSMIT OR YOUR TRANSMISSION IS OF POOR QUALITY

- Check that the antenna is correctly connected and that the SWR is properly adjusted.

- Check that the microphone is properly plugged in.
- Check that the **RF POWER** value is set on maximum. (See § **RF POWER** page 7).
- Check that the **MIC GAIN** value is set on maximum. (See § **MIC GAIN** page 7).

### 2) YOUR RADIO WILL NOT RECEIVE OR RECEPTION IS POOR

- Check that the squelch level is properly adjusted.
- Check that the volume (1) is set to a comfortable listening level.
- Check that the antenna is correctly connected and that the SWR is properly adjusted.
- Check that the **RF GAIN** level is set on maximum. (See § **RF GAIN** page 7).

### 3) YOUR RADIO WILL NOT LIGHT UP

- Check the power supply.
- Check the connection wiring.
- Check the fuse.

## G) HOW TO TRANSMIT OR RECEIVE A MESSAGE ?

Now that you have read the manual, make sure that your CB Radio is ready for use (i.e. check that your antenna is connected).

Press the «push-to-talk» switch (17) and announce your message «Attention stations, transmission testing» which will allow you to check the clearness and the power of your signal. Release the switch and wait for a reply. You should receive a reply like, «Strong and clear».

If you use a calling channel (19) and you have established communication with someone, it is common practice to choose another available channel so as not to block the calling channel.

## H) GLOSSARY

### INTERNATIONAL PHONETIC ALPHABET

<b>A</b> Alpha	<b>H</b> Hotel	<b>O</b> Oscar	<b>V</b> Victor
<b>B</b> Bravo	<b>I</b> India	<b>P</b> Papa	<b>W</b> Whiskey
<b>C</b> Charlie	<b>J</b> Juliett	<b>Q</b> Quebec	<b>X</b> X-ray
<b>D</b> Delta	<b>K</b> Kilo	<b>R</b> Romeo	<b>Y</b> Yankee
<b>E</b> Echo	<b>L</b> Lima	<b>S</b> Sierra	<b>Z</b> Zulu
<b>F</b> Foxtrott	<b>M</b> Mike	<b>T</b> Tango	
<b>G</b> Golf	<b>N</b> November	<b>U</b> Uniform	

**TECHNICAL VOCABULARY**

AM	: Amplitude Modulation
CB	: Citizen's Band
CH	: Channel
CW	: Continuous Wave
DX	: Long Distance Liaison
DW	: Dual Watch
FM	: Frequency Modulation
GMT	: Greenwich Meantime
HF	: High Frequency
LF	: Low Frequency
LSB	: Lower Side Band
RX	: Receiver
SSB	: Single Side Band
SWR	: Standing Wave Ratio
SWL	: Short Wave Listening
SW	: Short Wave
TX	: CB Transceiver
UHF	: Ultra High Frequency
USB	: Upper Side Band
VHF	: Very High Frequency

**CB LANGUAGE**

Advertising	: Flashing lights of police car
Back off	: Slow down
Basement	: Channel 1
Base station	: A CB set in fixed location
Bear	: Policeman
Bear bite	: Speeding fine
Bear cage	: Police station
Big slab	: Motorway
Big 10-4	: Absolutely
Bleeding	: Signal from an adjacent channel interfering with the transmission
Blocking the channel	: Pressing the PTT switch without talking
Blue boys	: Police
Break	: Used to ask permission to join a conversation
Breaker	: A CBer wishing to join a channel
Clean and green	: Clear of police

Cleaner channel	: Channel with less interference
Coming in loud and proud	: Good reception
Doughnut	: Tyre
Down and gone	: Turning CB off
Down one	: Go to a lower channel
Do you copy?	: Understand?
DX	: Long distance
Eighty eights	: Love and kisses
Eye ball	: CBers meeting together
Good buddy	: Fellow CBer
Hammer	: Accelerator
Handle	: CBer's nickname
Harvey wall banger	: Dangerous driver
How am I hitting you?	: How are you receiving me?
Keying the mike	: Pressing the PTT switch without talking
Kojac with a kodak	: Police radar
Land line	: Telephone
Lunch box	: CB set
Man with a gun	: Police radar
Mayday	: SOS
Meat wagon	: Ambulance
Midnight shopper	: Thief
Modulation	: Conversation
Negative copy	: No reply
Over your shoulder	: Right behind you
Part your hair	: Behave yourself - police ahead
Pull your hammer back	: Slow down
Rat race	: Congested traffic
Rubberbander	: New CBer
Sail boat fuel	: Wind
Smokey dozing	: Parked police car
Smokey with a camera	: Police radar
Spaghetti bowl	: Interchange
Stinger	: Antenna
Turkey	: Dumb CBer
Up one	: Go up one channel
Wall to wall	: All over/everywhere
What am I putting to you?	: Please give me an S-meter reading

## GENERAL WARRANTY CONDITIONS

This device is guaranteed **2 years** parts and labour in its country of purchase against any manufacturing defects validated by our technical department. PRESIDENT After Sales Service department reserves the right not to apply the warranty in the event a breakdown is caused by an antenna other than those distributed by PRESIDENT. An extension of **3 years** warranty is proposed systematically for the simultaneous purchase of a device and a PRESIDENT antenna, bringing the total duration of the warranty to **5 years**. In order to be valid, the warranty registration must be completed and submitted within a period of 30 days after the purchase date to PRESIDENT ELECTRONICS online at [www.president-electronics.us/warranty-registration](http://www.president-electronics.us/warranty-registration). You can also access this warranty registration page by using your smartphone to read (application must be available) the QR code on the enclosed warranty card. You will receive a confirmation email if the registration is successfully completed. Please keep a copy of this email for your records.

Any repair under warranty will be without charge and the return delivery costs will be borne by PRESIDENT. A proof of purchase sales receipt must be included with the device to be repaired. The dates listed on the warranty registration and proof of purchase must match. In case the device is not under warranty, the repair and return of the device will be charged.

No spare parts will be sent nor exchanged by PRESIDENT under warranty. Do not proceed with the installation of the device without reading the user manual.

The warranty is only valid in the country of purchase.

### Exclusions (not covered by Warranty):

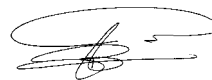
- Damages caused by accident, shock or inadequate packaging.
- Power transistors, microphones, lights, fuses and the disrespect of the installation and use of specifications (including but not limited to antenna used with too high power, final output power transistors (SWR), inversion of polarities, bad connections, over voltage...).
- The warranty cannot be extended due to the non-availability of the device while it is being serviced at PRESIDENT After Sales Service department, nor by a change of one or more components or spare parts.
- Transceivers which have been modified. The warranty application is excluded in case of modification or poor maintenance done by a third party not approved by PRESIDENT ELECTRONICS.

### If you note a malfunction:

- Check the power supply of your device and the quality of the fuse.
- Check that the antenna, the microphone are correctly connected.
- Check that the squelch level is properly adjusted; the programmed configuration is the correct one.
- In the event of a real malfunction, please contact your dealer first. He will decide what action should be taken.

In case of an intervention not covered by warranty, an estimate will be established before any repair.

Thank you for your confidence in the PRESIDENT quality and experience. We recommend that you read this manual carefully so that you are completely satisfied with your purchase.



Technical Manager  
and  
Quality Manager






**WARNING:** This product can expose you to chemicals including Lead, which is known to the State of California to cause cancer and birth defects or other reproductive harm. For more information go to [www.P65Warnings.ca.gov](http://www.P65Warnings.ca.gov).

**AVERTISSEMENT :** Ce produit peut vous exposer à des agents chimiques, y compris le plomb, identifiés par l'État de Californie comme pouvant causer le cancer et des malformations congénitales ou autres effets nocifs sur la reproduction. Pour de plus amples informations, prière de consulter le site [www.P65Warnings.ca.gov](http://www.P65Warnings.ca.gov).

## **¡ ATENCIÓN !**

*Antes de la utilización tengan cuidado de nunca emitir sin haber previamente conectado la antena (conector "B" situado en la parte trasera de su equipo), ajustada la ROE (Relación de Ondas Estacionarias)! Sino, se expone a dañar el amplificador de potencia, no cubierto por la garantía.*

***La garantía de este artículo sólo es válida en el país de compra.***

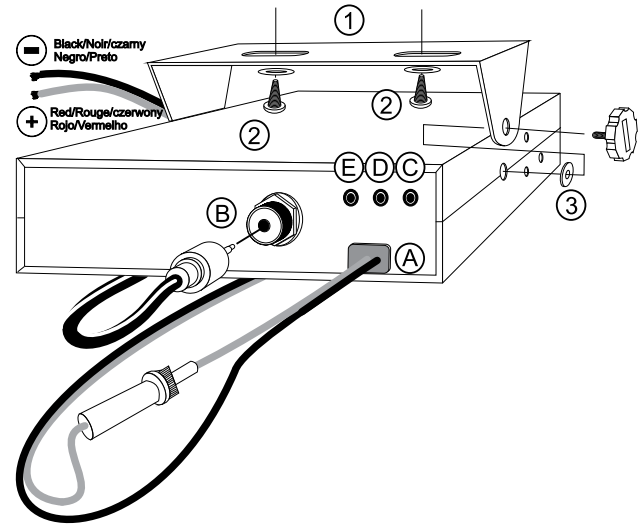
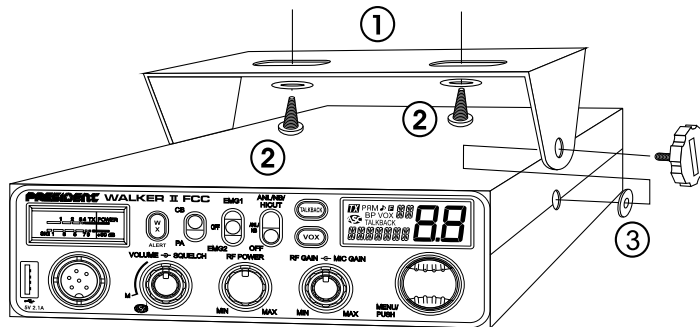


Bienvenido al mundo de los emisores-receptores CB de última generación. Esta nueva gama de estaciones le permite acceder a la comunicación electrónica más competitiva. Gracias a la utilización de tecnología punta que garantiza una calidad sin precedentes, su PRESIDENT WALKER II FCC ASC representa un nuevo hito en la facilidad de uso y la solución por excelencia para el usuario más exigente de CB. Para sacar el máximo partido de todas sus posibilidades, le aconsejamos leer atentamente estas instrucciones de uso antes de instalar y utilizar su CB PRESIDENT WALKER II FCC ASC.

## A) INSTALACIÓN

### 1) ELEGIR EL EMPLAZAMIENTO Y MONTAJE DEL PUESTO MÓVIL

- Escoja el emplazamiento más apropiado para una utilización simple y práctica de su estación móvil.
- Procure que no moleste ni al conductor ni a los pasajeros del vehículo.
- Prevea el paso y la protección de los diferentes cables, (alimentación, antena, accesorios) con el fin de que en ningún caso perturben la conducción del vehículo.
- Utilice para el montaje el soporte (1) entregado con el aparato, fíjelo sólidamente con ayuda de los tornillos auto-roscantes (2) proporcionados (diámetro de agujero de 3,2 mm / 1.126"). Tenga cuidado de no dañar el sistema eléctrico del vehículo en el momento del taladro del salpicadero.
- En el momento del montaje, no se olvide de insertar las arandelas de caucho (3) entre la estación y su soporte. Éstas tienen, en efecto, un papel "amortiguador" y permiten una orientación y presión suaves de la estación.
- Escoja un emplazamiento para el soporte del micro y prevea el paso de su cable.



- NOTA:** Su estación móvil que posee una toma de micro en la parte frontal puede ser empotrada en el cuadro de mandos. En ese caso, se recomienda añadirle un altavoz externo para una mejor escucha de las comunicaciones (conector EXT.SP situado en la cara posterior del aparato: C). Infórmese con su vendedor más próximo para el montaje en su aparato.

### 2) INSTALACIÓN DE LA ANTENA

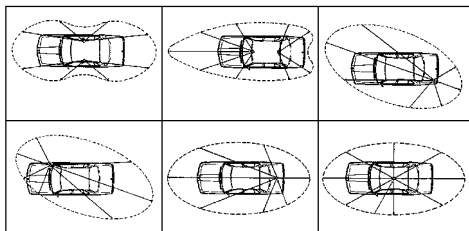
#### a) Elección de la antena

- En CB, cuanto más grande es una antena, mejor es su rendimiento. Su Centro de Asesoramiento sabrá orientarle en su elección.

#### b) Antena móvil

- Hay que instalarla en un lugar del vehículo donde haya un máximo de superficie metálica (plano de masa), alejándose de los montantes del parabrisas y de la luneta trasera.
- En caso de que se haya instalado una antena de radio-teléfono, la antena CB debe estar por encima de ésta.
- Existen 2 tipos de antenas: las preajustadas y las regulables.

- Las preajustadas se utilizan preferentemente con un buen plano de masa (en el techo o en el maletero).
- Las regulables ofrecen un campo de uso mucho más extenso y permiten sacar partido de planos de masa menos importantes (véase § **AJUSTE DE LA ROE** página 18).
- Para una antena de fijación por taladro, es necesario tener un contacto excelente entre la antena y el plano de masa; para ello, rasque ligeramente la chapa al nivel del tornillo y de la estrella de presión.
- En el momento del paso del cable coaxial, tenga cuidado de no pellizcarlo ni aplastarlo (riesgo de rotura o cortocircuito).
- Conecte la antena (**B**).



Lóbulo de radiación

### c) Antena fija

- Procure abrirla al máximo. En caso de fijación sobre un poste, habrá que sostenerla eventualmente conforme a las normas vigentes (infórmese con un profesional). Las antenas y los accesorios PRESIDENT han sido especialmente concebidos para un rendimiento óptimo de todos los aparatos de la gama.

### 3) CONEXIÓN DEL ALIMENTADOR

Su PRESIDENT WALKER II FCC ASC está provista de una protección contra las inversiones de polaridad.

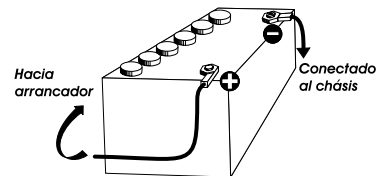
Vuestra emisora debe ser alimentada por una fuente de corriente continua de 12 voltios (**A**). Actualmente, la mayoría de los coches y camiones funcionan con una conexión de masa negativa. Podemos asegurarnos verificando que el borne (-) de la batería esté bien conectado al bloque motor o al chasis. En el caso contrario, consulte a su vendedor.

**ATENCIÓN:** Los camiones poseen generalmente dos baterías y una instalación eléctrica de 24 voltios. Será necesario pues intercalar en el circuito eléctrico un convertidor de 24/12 voltios (Tipo PRESIDENT CV 24/12).

Las siguientes operaciones de conexión deben ser efectuadas con el cable de alimentación no conectado a la estación:

- a) Asegúrese de que la alimentación sea de 12 voltios.
- b) Localice los bornes (+) y (-) de la batería (+ = rojo, - = negro). En caso de que sea necesario alargar el cable de alimentación, utilice un cable de sección equivalente o superior.
- c) Es necesario conectarse a un (+) y un (-) permanentes. Le aconsejamos pues, que conecte directamente el cable de alimentación a la batería (el acoplamiento al cable de la auto-radio o a otras partes del circuito eléctrico pueden, en ciertos casos, favorecer la recepción de señales parásitas).
- d) Conecte el hilo rojo (+) al borne positivo de la batería y el hilo negro (-) al borne negativo de la batería.
- e) Conecte el cable de alimentación a la estación.

**ATENCIÓN:** ¡Nunca reemplace el fusible de origen por un modelo de un valor diferente!



### 4) OPERACIONES DE BASE QUE HAY QUE EFECTUAR ANTES DE LA PRIMERA UTILIZACIÓN, SIN PASAR POR EMISIÓN (sin apretar la palanca del micro)

- a) Conecte el micro,
- b) Verifique la conexión de la antena,
- c) Puesta en marcha del aparato: gire el botón del volumen **VOLUME** (1) en el sentido de las agujas del reloj hasta oír un "clic",
- d) Gire el botón del squelch **SQUELCH** (2) al mínimo, en la posición **M**,
- e) Ajuste el volumen (1) a un nivel conveniente,
- f) Dirija la estación al canal 20 con ayuda del conmutador rotativo **PUSH** (6) o de los botones **UP/DN** (17) del micrófono.

### 5) AJUSTE DE LA ROE (Relación de Ondas Estacionarias)

**ATENCIÓN:** Esta operación debe efectuarse necesariamente en el momento de la primera utilización del aparato o en el momento de un cambio de antena. Este ajuste debe ser realizado en un lugar abierto, al aire libre.

- \* **Ajuste con el medidor de ROE integrado**  
**NUEVO, FÁCIL Y MUY ÚTIL - ajuste mediante "pífidios"**  
*Véase le menú AJUSTE DE LA ROE página 24.*

\* **Ajustes con el medidor de ROE externo (tipo TOS-1 PRESIDENT):**

#### a) **Empalme del medidor de ROE**

- Conecte el medidor de ROE entre la estación y la antena, lo más cerca posible de la estación (utilice para ello un cable de 40 cm / 15,75" máximo tipo CA-2C PRESIDENT).

#### b) **Ajuste de la ROE**

- Posicione la estación hacia el canal 20.
- Sitúe el conmutador del medidor de ROE en posición **FWD** (calibración).
- Apriete la palanca **PTT (17)** del micro para pasar a emisión.
- Dirija la aguja al índice ▼ con ayuda del botón de calibración.
- Ponga el conmutador en posición **REF** (lectura del valor de la ROE). El valor leído en el indicador debe estar muy cerca de 1. En caso contrario, reajuste su antena hasta obtener un valor lo más cerca posible a 1 (puede aceptarse un valor de la ROE comprendido entre 1 y 1,8).
- Es necesario recalibrar el medidor de ROE entre cada operación de ajuste de la antena.

**Observación:** Con el fin de evitar las pérdidas y las atenuaciones en los cables de conexión entre la radio y sus accesorios, PRESIDENT recomienda una longitud de cable inferior a 3 m (118,11").

Ahora, su estación está preparada para funcionar.

## B) **UTILIZACIÓN**

### 1) **ENCENDIDO-APAGADO / VOLUMEN**

Para **encender** la emisora: gire el botón **VOLUME (1)** hacia la derecha. Si la función **PITIDO DE TECLADO** está activa (véase página 23), sonará un pitido. Su radio está encendida "on". La pantalla muestra brevemente el tipo de micrófono (véase el menú **TIPO DE MICRÓFONO** página 24).

Para **apagar** el equipo: gire el botón **VOLUME (1)** hacia la izquierda hasta que escuche un clic. Su radio está apagada "off".

Para **ajustar** el volumen, gire el mando **VOLUME (1)** hacia la derecha. Para disminuir el volumen, gire el mando en sentido antihorario.



### 2) **ASC (Automatic Squelch Control) / SQUELCH**

Esta función permite suprimir los ruidos de fondo indeseables en ausencia de comunicación.

El squelch no actúa ni sobre el volumen sonoro ni sobre la potencia de emisión, pero permite mejorar considerablemente la comodidad de escucha.

### a) **ASC : SQUELCH CON AJUSTE AUTOMÁTICO**

**Patente mundial, exclusiva de PRESIDENT**

Gire el botón del squelch **SQUELCH (2)** en el sentido contrario a las agujas del reloj en la posición **ASC**.  aparece en el display. Evita el ajuste manual repetitivo y permite la optimización permanente entre la sensibilidad y la comodidad de escucha. Esta función puede desactivarse por rotación del botón en el sentido de las agujas del reloj. En ese caso, el ajuste del squelch vuelve a ser manual.  desaparece del display.

### b) **SQUELCH MANUAL**

Gire el botón del squelch **SQUELCH (2)** en el sentido de las agujas del reloj hasta el punto exacto en que desaparezca cualquier ruido de fondo. Este ajuste debe efectuarse con precisión, porque, en posición máxima en el sentido de las agujas del reloj, sólo las señales más fuertes pueden ser percibidas.

### 3) **RF POWER**

En modo **TX**, gire el botón **RF POWER (3)** para **ajustar** la potencia de salida; en el sentido de las agujas del reloj para **aumentar** la potencia, en el sentido contrario a las agujas del reloj para **disminuir** la potencia.

### 4) **MIC GAIN**

Ajuste del nivel de sensibilidad del micrófono.

*La posición normal de esta función está al máximo en el sentido de las agujas del reloj.*

### 5) **RF GAIN**

Configure la sensibilidad de recepción. Posición máxima en el caso de la recepción de llamadas a larga distancia. Puede **disminuir** la ganancia de **RF**, para evitar distorsiones, cuando el interlocutor esté cerca. Reduzca la ganancia de recepción en el caso de una comunicación cercana con un correspondiente que no esté equipado con **RF POWER**.

*La posición normal de esta función está al máximo en el sentido de las agujas del reloj.*

### 6) **CONMUTADOR ROTATIVO «PUSH»**

En modo normal, gire el conmutador rotativo **PUSH (6)** para **cambiar** el canal. Gire en el sentido de las agujas del reloj para **aumentar** y en sentido antihorario para **disminuir** de un canal.

En el modo **MENÚS** (una presión de aproximadamente 3 segundos en el botón **PUSH (6)** activa este modo). Véase § **MENÚS** página 22.

1. Gire el botón rotativo **PUSH (6)** para *seleccionar* la función que se va a configurar.
2. Presione brevemente el botón **PUSH (6)** para *confirmar*. El parámetro de ajuste de la función seleccionada parpadea en la pantalla.
3. Gire el botón rotativo **PUSH (6)** para *cambiar* el valor del parámetro.
4. Presione el botón **PUSH (6)** nuevamente *confirma* el valor seleccionado. El parámetro deja de parpadear y si la función tiene más de un parámetro, el siguiente parámetro parpadea.

Véase § **BOTONES UP/DN DEL MICRÓFONO** página 22.

## 7) PANTALLA LCD



	Indica la emisión
PA	Modo PA (Public Address) activado
AM	Modulación en AM
	Función ROGER BEEP activada
BP	Función PITIDO DEL TECLADO activado
	Automatic Squelch Control activado
VOX	Función VOX activada
	Función SCAN activada (el punto parpadea)
TALKBACK	Función TALKBACK activada
	Modo MENÚS activado
	Indica el canal seleccionado (dígitos grandes)
	Modo CANALES METEOROLÓGICOS activado
	Función ALERT activada
	Indica la frecuencia y el menú

## 8) VOX ~ AJUSTE DEL VOX

### VOX (presión breve)

La función **VOX** permite *emitir* hablando en el micro de origen (o en el micro vox opcional) sin apretar la palanca **PTT (17)**. La utilización de un micro vox opcional conectado detrás del aparato (**E**) desactiva el micro de origen.

Apriete brevemente el botón **VOX (8)** para *activar* la función **VOX**. Aparece en el visualizador el icono "**VOX**". Una nueva presión en el botón **VOX (8)** *desactiva* la función. El icono "**VOX**" desaparece de la pantalla.

### AJUSTE DEL VOX (presión larga)

Pulse durante 2 segundos el botón **VOX (8)** para *entrar* en el modo **AJUSTE DEL VOX**.

Tres parámetros permiten ajustar el **VOX**: Sensibilidad **SET L**, nivel Anti-Vox **SET R** y la Temporización **SET T**.

1. Para cambiar un parámetro que no sea el que se muestra, presione brevemente el botón **VOX (8)** para seleccionar el parámetro siguiente o ...
2. Gire el botón rotativo **PUSH (6)** o presione los botones **UP/DN (18)** del micrófono para *modificar* el valor del parámetro...
3. Presione el botón **VOX (8)** para *confirmar* y *pasar* al parámetro siguiente.
4. Una vez que haya realizado la configuración, presione la palanca **PTT (17)** para *salir* del modo de **AJUSTE DEL VOX**. Si no se realiza ningún ajuste durante 5 segundos, la unidad sale automáticamente de la función.
  - **Sensibilidad "SET L"**: ajusta la sensibilidad del micrófono (vox original o opcional) para una calidad de transmisión óptima. Nivel ajustable de **1** (nivel alto) a **9** (nivel bajo). Valor predeterminado: **5**.
  - **Anti-Vox "SET R"**: evita la emisión generada por el ruido ambiental. Nivel ajustable: **OFF** (emite según el nivel del squelch) y de **1** (sin antivox) a **9** (nivel bajo). Valor predeterminado: **9**.
  - **Temporización "SET T"**: para evitar el corte "brutal" de la transmisión añadiendo un retraso al final del discurso. Nivel ajustable de **1** (retraso corto) a **9** (retraso largo). Valor predeterminado: **1**.

## 9) TALKBACK

Esta función le permite escuchar su propia modulación en el altavoz interno (o el altavoz externo opcional conectado a la toma EXT. SP (**C**)).

Pulse la tecla **TALKBACK (9)** para *activar/desactivar* la función **TALKBACK**. Cuando la función está activada, "**TALKBACK**" parpadea en la pantalla durante 3 segundos, mostrando el nivel actual de **TALKBACK** y, a continuación, permanece visualizado de forma permanente. Véase § **TALKBACK LEVEL** página 25.

## 10) FILTROS ANL/NB - HI-CUT

Conmutador de 3 posiciones: **posición baja**: no hay filtro activado. **Posición central**: solo los filtros ANL y NB están activados. **Posición alta**: todos los filtros (ANL, NB y HI-CUT) están activados.

**NB**: Noise Blanker / **ANL**: limitador de ruido automático. Estos filtros reducen el ruido de fondo y algunos parásitos de recepción.

**HI-CUT**: elimina las interferencias de alta frecuencia y se debe utilizar de acuerdo con las condiciones de recepción.

## 11) CANALES DE EMERGENCIA

Los canales DE EMERGENCIA *se seleccionarán* automáticamente al cambiar este conmutador (11). 3 posiciones: **EMG1** / El canal de emergencia 1 está activado. **EMG2** / El canal de emergencia 2 está activado. **OFF** / no se activa ningún canal de emergencia.

Los canales de prioridad predeterminados son **9 (EMG1)** y **19 (EMG2)**

Consulte el menú **AJUSTE DEL CANAL DE EMERGENCIA 1 y 2** en la página 23 para configurar los canales de emergencia.

**Nota**: La activación de un canal prioritario ya no le permite utilizar los modos **PA** o **WX**, ni iniciar la función **SCAN**; si la función **KEY BEEP** está activa, se emite un pitido de error. "EMG" y el canal parpadean en la pantalla para indicar una manipulación no autorizada. Ponga el conmutador (11) en la posición **OFF** para poder utilizar estas funciones.

## 12) CB/PA

Permite cambiar entre los modos **CB** y **PA** (Public Address).

Se puede conectar un altavoz de sonido exterior al equipo a través de una toma en el panel trasero PA.SP. (D). Gire el botón **MIC GAIN** (4) para ajustar el nivel del volumen del **PA**.

Véase el menú **AJUSTE DEL PA** página 24.

## 13) CANALES METEOROLÓGICO (WX) ~ ALERTA

### CANALES METEOROLÓGICOS (WX) (presión breve)

**Nota** : Las funciones actuales de la **CB** no son activas en modo **WX**. Si la función **KEY BEEP** está activada, presionar una tecla no autorizada provoca la emisión de un "Beep" de error.

Seleccione un canal distinto de los canales de emergencia **EMG1** o **EMG2**. El conmutador **CANALES DE EMERGENCIA** (11) debe estar en la posición **OFF**. Pulse brevemente la tecla **WX** (13) para cambiar entre los modos **CB** y **WX**. Cuando el modo meteorológico (**WX**) está activo, aparece "WX". El modo **WX** le permite escuchar los informes meteorológicos. Cuando se activa este modo, gire el conmutador rotativo **PUSH** (6) o utilice los botones

**UP/DN** (18) del micrófono para buscar entre los 7 canales meteorológicos el canal correspondiente a su ubicación (Consulte **TABLA DE FRECUENCIAS METEOROLÓGICAS** en la página 55).

La pantalla muestra el canal seleccionado.

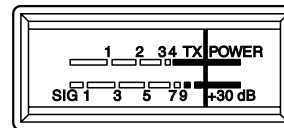
### ALERTA (presión larga)

La alerta "SIRENA" sólo se escucha en los modos **CB** o **PA**. No funciona en el modo **WX**.

Mantenga pulsada la tecla **ALERT** (13) para **activar/desactivar** la función. Cuando la función está activa, el último dígito de las frecuencias muestra una **A** (XXXXXX A). Si la función está activa y se detecta una señal en el canal meteorológico activo, la unidad emite una alerta "SIRENA". La unidad sale del modo **CB** o **PA** para cambiar al modo **WX**.

Durante la sirena de advertencia, pulse el pedal del **PTT** (17) para detener el sonido.

## 14) BARGRAPH



Muestra el nivel de recepción y la salida del nivel de potencia.

## 15) TOMA DE MICRO 6 PINS

Se encuentra en el frontal del equipo y facilita así su integración a bordo del vehículo.

Véase el esquema de cableado en página 56.

## 16) CARGA USB

La toma **USB** (16) permite *cargar* un smartphone, tableta o otro dispositivo recargable de 5 V a 2.1 A.

## 17) TECLA DE EMISIÓN PTT

Tecla de emisión, apriete para hablar, la pantalla muestra **TX**. Suelte para pasar a recepción y recibir un mensaje. **TX** desaparece.

### TOT (Time Out Timer)

Si se pulsa la tecla **PTT** (17) durante más de 5 minutos, la pantalla parpadeará y el programa finalizará. Se emite un sonido hasta que se suelta la tecla de emisión **PTT** (17).

## 18) BOTONES UP/DN DEL MICRÓFONO ~ SCAN

### BOTONES UP/DN DEL MICRÓFONO (presión breve)

En funcionamiento normal, use las teclas **UP** o **DN (18)** del micrófono para *cambiar* de canal. **UP** para *aumentar* y **DN** para *disminuir* un canal.

En modo **MENÚS** (presione el conmutador **PUSH (6)** durante aproximadamente 3 segundos para activar este modo (consulte § **MENÚS** página 22)), los botones **UP** o **DN (18)** *seleccionan* el menú que se va a configurar.

Véase el § **CONMUTADOR ROTATIVO "PUSH"** en la página 19.

### SCAN (presión larga)

Mantenga pulsada una de las teclas **UP** o **DN (18)** del micrófono para activar la función **SCAN**. El punto entre los dos dígitos del canal parpadea para indicar que la función está activa.

La búsqueda se define en cuanto se activa un canal. El escaneo se inicia automáticamente 3 segundos después de la finalización de la transmisión si no se pulsa ninguna tecla durante este tiempo. En el modo **SCANNING**, gire el conmutador rotativo **PUSH (6)** o utilice los botones **UP/DN (18)** del micrófono para cambiar la dirección de búsqueda de canales.

### Scan de los canales CB

En el modo **CB**, pulse y mantenga pulsada una de las teclas **UP** o **DN (18)** del micrófono durante  $\pm 7$  segundos o hasta que se oiga un pitido para activar la función **SCAN de los canales CB**.

Pulsar el pedal **PTT (17)** para salir de la función **SCAN de los canales CB**. El punto intermitente entre los dos dígitos del canal desaparece de la pantalla.

### Scan de los canales meteorológicos

En el modo **WX**, mantenga pulsada una de las teclas **UP** o **DN (18)** del micrófono durante  $\pm 3$  segundos o hasta que se escuche un pitido para activar la función **SCAN de los canales meteorológicos**.

Pulse y mantenga pulsado el botón **TALKBACK (9)** durante 3 segundos para salir de la función **SCAN de los canales meteorológicos**. El punto intermitente entre los dos dígitos del canal desaparece de la pantalla.

**Nota:** El scan de canales meteorológicos puede realizarse en segundo plano mientras se utiliza el modo **CB**.

## A) ALIMENTACIÓN (13,2 V)

## B) TOMA DE ANTENA(SO-239)

## C) TOMA ALTAVOZ EXTERNO OPCIONAL(8 $\Omega$ , $\varnothing$ 3,5 mm)

## D) TOMA PARA ALTAVOZ PA (Public Address) OPCIONAL (8 $\Omega$ , $\varnothing$ 3,5 mm)

## E) TOMA PARA MICRÓFONO OPCIONAL VOX (8 $\Omega$ , $\varnothing$ 2,5 mm)

## C) MENÚS

El orden de las 11 funciones es como se describe en este manual. Sin embargo, la función mostrada al ingresar en los **MENÚS** será la última función modificada por el usuario.

Sea cual sea la función, el procedimiento es idéntico:

Pulse durante 3 segundos el conmutador **PUSH (6)** para *entrar* en los **MENÚS**. **■** aparece.

1. Gire el conmutador rotativo **PUSH (6)** o utilice los botones **UP/DN (18)** del micrófono para *seleccionar* la función a configurar.
2. Pulse el conmutador **PUSH (6)** para *validar*. El parámetro de ajuste de la función escogida parpadea en la pantalla.
3. Gire el conmutador rotativo **PUSH (6)** o utilice los botones **UP/DN (18)** del micrófono para *modificar* el valor del parámetro.
4. Una nueva pulsación en el conmutador **PUSH (6)** permite *validar* el valor seleccionado. El parámetro deja de parpadear y si la función tiene más de un parámetro, el siguiente parámetro parpadea.
5. Si no se presiona ninguna tecla durante 10 segundos, se sale de los **MENÚS**. **■** desaparece de la pantalla.

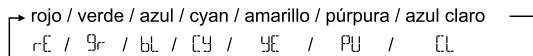
**Nota:** Los botones **UP/DN (18)** del micrófono tienen el mismo efecto que el conmutador rotativo **PUSH (6)**. La palanca **PTT (17)** valida el último ajuste y sale de los **MENÚS**. **■** desaparece de la pantalla.

## 1) COLOR

Esta función le permite elegir el color de iluminación de la pantalla LCD.

Pulse durante 3 segundos el conmutador **PUSH (6)** para *entrar* en los **MENÚS**. **■** aparece.

1. Gire el conmutador rotativo **PUSH (6)** o utilice los botones **UP/DN (18)** del micrófono para *seleccionar* la función **COLOR**.
2. Pulse el conmutador **PUSH (6)**. El color actual parpadea en la pantalla.
3. Gire el conmutador rotativo **PUSH (6)** o utilice los botones **UP/DN (18)** del micrófono para *seleccionar* el color deseado. Los 7 colores disponibles giran en un bucle :



4. Una nueva pulsación en el conmutador **PUSH (6)** permite *validar* el color seleccionado. El color deja de parpadear. **a)** Comience nuevamente en el punto 1 para *configurar* otra función o **b)** Presione la palanca **PTT (17)** para *confirmar* y *salir* de los **MENÚS**. **■** desaparece de la pantalla.
5. Si no se presiona ninguna tecla durante 10 segundos, se sale de los **MENÚS**. **■** desaparece de la pantalla.

El color predeterminado es rE (rojo).

## 2) PITIDO DEL TECLADO

Cuando la función está activada, **se oye** un pitido cuando se pulsa una tecla, cuando se cambia de canal, etc. En el display aparece "BP".

Pulse durante 3 segundos el conmutador **PUSH (6)** para **entrar** en los **MENÚS**. **BP** aparece.

1. Gire el conmutador rotativo **PUSH (6)** o utilice los botones **UP/DN (18)** del micrófono para **seleccionar** la función **KEYBEEP**.
2. Pulse el conmutador **PUSH (6)**. El estado actual parpadea en la pantalla.
3. Gire el conmutador rotativo **PUSH (6)** o utilice los botones **UP/DN (18)** del micrófono para **activar** **BP** / **desactivar** **BP** la función **KEY BEEP**.
4. Una nueva pulsación en el conmutador **PUSH (6)** permite **validar** su selección. El parámetro deja de parpadear. **a)** Comience nuevamente en el punto 1 para **configurar** otra función o **b)** Presione la palanca **PTT (17)** para **confirmar** y **salir** de los **MENÚS**. **BP** desaparece de la pantalla.
5. Si no se presiona ninguna tecla durante 10 segundos, se sale de los **MENÚS**. **BP** desaparece de la pantalla.

El parámetro predeterminado es **BP**.

## 3) ROGER BEEP

Cuando la función está activa, **BP** aparece en la pantalla.

El Roger Beep emite un sonido cuando se suelta la tecla **PTT (17)** del micrófono para dejarle la palabra a su interlocutor. Históricamente, al ser la Radio Afición un modo de comunicación «simplex», es decir que no es posible hablar y escuchar al mismo tiempo (como en el caso del teléfono por ejemplo), era usual decir "Roger" cuando se había terminado de hablar para avisar al interlocutor que ya podía hablar. La palabra "Roger" ha sido reemplazada por un "Beep" significativo, de ahí su nombre "Roger Beep".

Pulse durante 3 segundos el conmutador **PUSH (6)** para **entrar** en los **MENÚS**. **BP** aparece.

1. Gire el conmutador rotativo **PUSH (6)** o utilice los botones **UP/DN (18)** del micrófono para **seleccionar** la función **ROGER BEEP**.
2. Pulse el conmutador **PUSH (6)**. El estado actual parpadea en la pantalla.
3. Gire el conmutador rotativo **PUSH (6)** o utilice los botones **UP/DN (18)** del micrófono para **activar** **BP** / **desactivar** **BP** la función **ROGER BEEP**.
4. Una nueva pulsación en el conmutador **PUSH (6)** permite **validar** su selección. El parámetro deja de parpadear. **a)** Comience nuevamente en el punto 1 para **configurar** otra función o **b)** Presione la palanca **PTT (17)** para **confirmar** y **salir** de los **MENÚS**. **BP** desaparece de la pantalla.
5. Si no se presiona ninguna tecla durante 10 segundos, se sale de los **MENÚS**. **BP** desaparece de la pantalla.

El parámetro predeterminado es **BP**.

## 4) TONO

La función **TONO** se utiliza para cambiar el tono en la recepción. 11 niveles de **-5 A +5**.

Pulse durante 3 segundos el conmutador **PUSH (6)** para **entrar** en los **MENÚS**. **BP** aparece.

1. Gire el conmutador rotativo **PUSH (6)** o utilice los botones **UP/DN (18)** del micrófono para **seleccionar** la función **TONO**.
2. Pulse el conmutador **PUSH (6)**. El estado actual parpadea en la pantalla.
3. Gire el conmutador rotativo **PUSH (6)** o utilice los botones **UP/DN (18)** del micrófono para **ajustar** el nivel del tono.
4. Una nueva pulsación en el conmutador **PUSH (6)** permite **validar** el valor. El parámetro deja de parpadear. **a)** Comience nuevamente en el punto 1 para **configurar** otra función o **b)** Presione la palanca **PTT (17)** para **confirmar** y **salir** de los **MENÚS**. **BP** desaparece de la pantalla.
5. Si no se presiona ninguna tecla durante 10 segundos, se sale de los **MENÚS**. **BP** desaparece de la pantalla.

El parámetro predeterminado es **0**.

## 5) DIMMER

La función **DIMMER** permite **ajustar** el brillo (de **1 a 9**) de la retro iluminación de la pantalla o **OFF** (sin retro iluminación).

Pulse durante 3 segundos el conmutador **PUSH (6)** para **entrar** en los **MENÚS**. **BP** aparece.

1. Gire el conmutador rotativo **PUSH (6)** o utilice los botones **UP/DN (18)** del micrófono para **seleccionar** la función **DIMMER**.
2. Pulse el conmutador **PUSH (6)**. El valor actual parpadea en la pantalla.
3. Gire el conmutador rotativo **PUSH (6)** o utilice los botones **UP/DN (18)** del micrófono para **seleccionar** el nivel del brillo deseado.
4. Una nueva pulsación en el conmutador **PUSH (6)** permite **validar** el valor escogido. El parámetro deja de parpadear. **a)** Comience nuevamente en el punto 1 para **configurar** otra función o **b)** Presione la palanca **PTT (17)** para **confirmar** y **salir** de los **MENÚS**. **BP** desaparece de la pantalla.
5. Si no se presiona ninguna tecla durante 10 segundos, se sale de los **MENÚS**. **BP** desaparece de la pantalla.

El brillo predeterminado es: **9**

## 6) AJUSTE DEL CANAL DE EMERGENCIA 1

Permite definir el canal de emergencia 1.

Pulse durante 3 segundos el conmutador **PUSH (6)** para **entrar** en los **MENÚS**. **BP** aparece.

1. Gire el conmutador rotativo **PUSH (6)** o utilice los botones **UP/DN (18)** del micrófono para **seleccionar** la función **EMG 1**.

2. Pulse el conmutador **PUSH (6)**. El **canal**, parpadea en la pantalla.
3. Gire el conmutador rotativo **PUSH (6)** o utilice los botones **UP/DN (18)** del micrófono para **seleccionar** el canal.
4. Una nueva pulsación en el conmutador **PUSH (6)** permite **validar** el canal. El canal deja de parpadear. **a)** Comience nuevamente en el punto 1 para **configurar** otra función o **b)** Presione la palanca **PTT (17)** para **confirmar** y **salir** de los **MENÚS**. **[F]** desaparece de la pantalla.
5. Si no se presiona ninguna tecla durante 10 segundos, se sale de los **MENÚS**. **[F]** desaparece de la pantalla.

El canal de emergencia 1 por defecto es **9**.

Véase el § **CANALES DE EMERGENCIA** página 21.

## 7) AJUSTE DEL CANAL DE EMERGENCIA 2

Permite definir el canal de emergencia 2.

Pulse durante 3 segundos el conmutador **PUSH (6)** para **entraren** los **MENÚS**. **[F]** aparece.

1. Gire el conmutador rotativo **PUSH (6)** o utilice los botones **UP/DN (18)** del micrófono para **seleccionar** la función **EMG 2**. Los puntos **2 a 5** son idénticos a los de **AJUSTE DEL CANAL DE EMERGENCIA 1**. El canal de emergencia 2 por defecto es **19**.

Véase el § **CANALES DE EMERGENCIA** página 21.

## 8) AJUSTE DE LA ROE

Esta función se usa para **ajustar** lo **ROE** (Relación de Ondas Estacionarias) mediante pitidos.

Pulse durante 3 segundos el conmutador **PUSH (6)** para **entraren** los **MENÚS**. **[F]** aparece.

1. Gire el conmutador rotativo **PUSH (6)** o utilice los botones **UP/DN (18)** del micrófono para **seleccionar** la función **SWR**.
2. Presione el conmutador **PUSH (6)**. El equipo pasa automáticamente en emisión, modo **TX**, sin presionar la palanca **PTT (17)** y comienza la calibración. El tiempo de calibración es de 5 minutos máximo. Se realiza una cuenta regresiva en la pantalla.
3. Ajuste la antena.
4. El pitido\* es continuo cuando el valor de la **ROE** es **11**. El espacio entre los pitidos se hace cada vez más grande a medida que el valor de la **ROE** se aleja de **11**. La pantalla muestra el valor de la **ROE**. Por ejemplo **2.5**.
5. Presione la palanca **PTT (17)** para salir del modo **MENÚS**. **[F]** desaparece de la pantalla.

\*El volumen del pitido se puede ajustar con el botón **VOLUME (1)**. Verifique que el volumen esté configurado a un nivel adecuado.

Véase el § **AJUSTE DE LA ROE** en la página 18.

## 9) TIPO DE MICRÓFONO

El **PRESIDENT WALKER II FCC** se puede utilizar tanto con un micrófono electret como con un micrófono dinámico **PRESIDENT** de 6 contactos (Véase el cableado del micrófono en la página 38).

Pulse durante 3 segundos el conmutador **PUSH (6)** para **entraren** los **MENÚS**. **[F]** aparece.

1. Gire el conmutador rotativo **PUSH (6)** o utilice los botones **UP/DN (18)** del micrófono para **seleccionar** la función **MIC TP**.
2. Pulse el conmutador **PUSH (6)**. El estado actual parpadea en la pantalla.
3. Gire el conmutador rotativo **PUSH (6)** o utilice los botones **UP/DN (18)** del micrófono para **seleccionar** el tipo de micrófono **EL** (electret) ou **d4** (dinámico).
4. Una nueva pulsación en el conmutador **PUSH (6)** permite **validar** su selección. El parámetro deja de parpadear. **a)** Comience nuevamente en el punto 1 para **configurar** otra función o **b)** Presione la palanca **PTT (17)** para **confirmar** y **salir** de los **MENÚS**. **[F]** desaparece de la pantalla.
5. Si no se presiona ninguna tecla durante 10 segundos, se sale de los **MENÚS**. **[F]** desaparece de la pantalla.

El parámetro predeterminado es **EL** (electret).

## 10) AJUSTE DEL PA (Megafonía)

Esta función se utiliza para **seleccionar** el modo de funcionamiento del **PA** (megafonía).

Pulse durante 3 segundos el conmutador **PUSH (6)** para **entraren** los **MENÚS**. **[F]** aparece.

1. Gire el conmutador rotativo **PUSH (6)** o utilice los botones **UP/DN (18)** del micrófono para **seleccionar** la función **PA SET**.
2. Presione el conmutador **PUSH (6)**, el parámetro actual parpadea en la pantalla.
3. Gire el conmutador rotativo **PUSH (6)** o utilice los botones **UP/DN (18)** del micrófono para **seleccionar** el tipo de funcionamiento del **PA**, **in**, **BF** o **PR**.
4. Una nueva pulsación en el conmutador **PUSH (6)** permite **validar** el valor. El parámetro deja de parpadear. **a)** Comience nuevamente en el punto 1 para **configurar** otra función o **b)** Presione la palanca **PTT (17)** para **confirmar** y **salir** de los **MENÚS**. **[F]** desaparece de la pantalla.
5. Si no se presiona ninguna tecla durante 10 segundos, se sale de los **MENÚS**. **[F]** desaparece de la pantalla.



**In:** La modulación del micrófono se transmite al altavoz externo de P.A. conectado a la toma PA.SP. (D). La señal recibida se devuelve al altavoz interno (o al altavoz externo opcional conectado a la toma EXT. SP (C)). "PA" parpadea en alternancia con el modo de modulación utilizado (AM).

**RF:** La recepción ya no es funcional. La modulación del micrófono se transmite al altavoz de P.A. conectado a la toma PA.SP. (D). **PR** y el volumen del **PA** aparecen en la pantalla.

**PR:** La modulación del micrófono y la señal recibida se transmiten al altavoz de P.A. conectado a la toma PA.SP. (D). "PA" parpadea en alternancia con el modo de modulación utilizado (AM).

El tipo de PA predeterminado es el tipo In.

El botón **VOLUME (1)** ajusta el nivel de audio del modo PA.

Véase el § **CB/PA** en la página 21.

## 1) RE INICIALIZACIÓN

Le permite restablecer todos los parámetros definidos por el usuario y volver a los valores predeterminados.

Pulse durante 3 segundos el conmutador **PUSH (6)** para *entrar* en los **MENÚS**. **FI** aparece.

1. Gire el conmutador rotativo **PUSH (6)** o utilice los botones **UP/DN (18)** del micrófono para *seleccionar* la función **RESET**.
2. Pulse el conmutador **PUSH (6)**. **FL** parpadea en la pantalla.
3. Una nueva pulsación en el conmutador **PUSH (6)** permite *re inicializar* el equipo con los parámetros de fábrica. Se *sale* de los **MENÚS**. **FI** desaparece de la pantalla.
4. Si no se presiona ninguna tecla durante 10 segundos, se sale de los **MENÚS**. **FI** desaparece de la pantalla.

## D) FUNCIÓN CON LA PALANCA DE EMISIÓN PTT

### NIVEL DEL TALKBACK

Esta función le permite ajustar el nivel del volumen del **TALKBACK**.

1. Activar la función **TALKBACK** (véase § **TALKBACK** página 20).
2. Mantenga pulsada la palanca de emisión **PTT (17)** y gire el conmutador rotativo **PUSH (6)** para *aumentar/disminuir* el nivel de volumen del **TALKBACK**.
3. Suelte la palanca de emisión **PTT (17)**.

## E) CARACTERÍSTICAS TÉCNICAS

### 1) GENERALES

- Canales	: 40
- Modos de modulación	: AM
- Gama de frecuencias	: de 26.965 MHz a 27.405 MHz
- Canales Meteorológicos	: de 162.400 MHz a 162.550 MHz
- Impedancia de la antena	: 50 ohms
- Tensión de la alimentación	: 13,8 V
- Dimensiones	: 170 (L) x 160 (P) x 52 (A) mm : 6,692 (W) x 6,299 (D) x 2,047 (H) pulgadas
- Peso	: ± 1,1 kg / 2.43 lbs
- Accesorios incluidos	: 1 micrófono Electret UP/DOWN y su soporte, 1 soporte de montaje, tornillos, cable de alimentación con fusible.

### 2) EMISIÓN

- Tolerancia de Frecuencia	: +/- 200 Hz
- Potencia portadora	: 4 W
- Emisiones parásitas	: inferior a 4 nW (-54 dBm)
- Respuesta de Frecuencia	: 300 Hz a 3 KHz
- Potencia emisión en canal adj.	: inferior a 20 µW
- Sensibilidad del micrófono	: 3,0 mV
- Consumo	: < 2 A máx. (con modulación)
- Distorsión máx. señal modul.	: 1,8 %

### 3) RECEPCIÓN

- Sensibilidad máx. a 20dB sinad.	: 0,5 µV - 113 dBm
- Respuesta en frecuencia	: 300 Hz a 3 KHz
- Sensibilidad del canal adj.	: 60 dB
- Potencia audio max.	: 3 W
- Sensibilidad silenciador (sq)	: mini 0,2 µV - 120 dBm max. 1 mV - 47 dBm
- Tasa de rechazo frec. imagen	: 60 dB
- Tasa de rechazo frec. inter.	: 70 dB
- Consumo	: 180 ~ 500 mA max.

## F) GUÍA DE PROBLEMAS

### 1) LA EMISORA NO EMITE O VUESTRA EMISIÓN ES DE MALA CALIDAD

Verifique que:

- La antena esté correctamente conectada y que la ROE esté bien ajustada.
- El micro esté bien conectado.

- La potencia del **RF POWER** esté al máximo (véase o § **RF POWER** p. 19).
- El valor del **MIC GAIN** esté al máximo (véase o § **MIC GAIN** p. 19).

## 2) LA EMISORA NO RECIBE O VUESTRA RECEPCIÓN ES DE MALA CALIDAD

### Verifique que:

- El nivel del squelch esté correctamente ajustado.
- El Volumen (1) esté ajustado a un nivel conveniente.
- La antena esté correctamente conectada y la ROE este bien ajustada.
- El valor del **RF Gain** (9) esté al máximo (véase o § **RF GAIN** p. 19).

## 3) LA EMISORA NO SE ILUMINA

- Verificar el alimentador.
- Verificar que no haya una inversión en los hilos al nivel de la acometida.
- Verificar el fusible.

## G) ¿ COMO EMITIR O RECIBIR UN MENSAJE ?

Ahora que ha leído la nota de aviso, asegure que su emisora esté lista para funcionar (antena conectada).

Puede entonces apretar sobre la palanca **PTT** (17) de su micrófono, y lanzar el mensaje "atención estaciones, ensayo de emisora", lo que permite verificar la claridad y la potencia de su señal y debe provocar una contestación de tipo: "fuerte y claro la estación".

Suelte la palanca y espere una contestación. Si utiliza un canal de llamada (19), y la comunicación se establece, es preciso elegir otro canal disponible para no obstruir el canal de llamada.

## H) LÉXICO

### ALFABETO FONÉTICO INTERNACIONAL

<b>A</b> Alpha	<b>H</b> Hotel	<b>O</b> Oscar	<b>V</b> Victor
<b>B</b> Bravo	<b>I</b> India	<b>P</b> Papa	<b>W</b> Whiskey
<b>C</b> Charlie	<b>J</b> Juliett	<b>Q</b> Quebec	<b>X</b> X-ray
<b>D</b> Delta	<b>K</b> Kilo	<b>R</b> Romeo	<b>Y</b> Yankee
<b>E</b> Echo	<b>L</b> Lima	<b>S</b> Sierra	<b>Z</b> Zulu
<b>F</b> Foxtrott	<b>M</b> Mike	<b>T</b> Tango	
<b>G</b> Golf	<b>N</b> November	<b>U</b> Uniform	

### TERMINOS DEL ARGOT CEBEISTA:

A.L.	: Amplificador lineal
ARMONICOS	: Hijos
AVE MARIA	: Amplitud de modulación
BARBAS	: Interferencias de canales próximos
BARRA MOVIL	: Estación de movimiento
BASE	: Estación fija
BIGOTADA	: Reunión de aficionados
BREAK	: Solicitar transmisión o entrada
BREAKER	: El que interrumpe
CAJA TONTA	: Televisión
CHICHARRA	: Amplificador lineal
CORTINERO	: Radioescucha
CRUCE DE ANTENAS	: Comunicación en CB
DOS METROS HORIZONTALES	: La cama
ENCENDER FILAMENTOS	: Encender el equipo de CB
ESPIRAS	: Edad
FOTOCOPIA	: Hermano/hermana
FRECUENCIA	: Megahertzios que corresponden al canal
KAS	: Euros expresadas generalmente en mil
LABORO	: Trabajo, ocupación
LADRILLO	: Emisora de 27 MHz
LINEA DE BAJA O LINEA DE 500	: Teléfono
MODULAR	: Hablar emitiendo
O.K.	: Conforme, de acuerdo
OKAPA	: Conforme
P.A.	: Megafonía
PASTILLA	: Micrófono
P.O. BOX	: Apartado de Correos
PRIMERISIMOS	: Padres
PUNTITO	: Lugar de reunión
PUNTOS VERDES	: Guardia Civil
E.	: Recibido
RX.	: Receptor
SAXO	: Marido, novia
SECRETARIA	: Amplificador lineal
TIA VINAGRE O TIA VIRGINIA	: Televisión
TRASMATA	: Radioescucha
TX	: Transmisor
VERTICAL	: Encontrarse en persona

VIA BAJA	: Teléfono
VITAMINARSE	: Comer, cenar
WISKIES	: Watios
ZAPATILLA	: Amplificador lineal
33	: Saludos amisosos
51	: Abrazos
55	: Mucho éxito
73	: Saludos
88	: Besos y cariños

**NOTA:** *El Código Q es la fusión de las dos definiciones, como pregunta y como respuesta, es una sola definición aceptada en CB.*

### **CÓDIGO «Q»:**

QRA	: Nombre de estación u operador
QRB	: Distancia aproximada en línea recta entre dos estaciones
QRG	: Frecuencia exacta
QRI	: Tonalidad de una emisión valorada de 1 a 3
QRK	: Legibilidad, comprensibilidad de una señal. En CB, Radio valorado de 1 a 5
QRL	: Estar ocupado, trabajando
QRM	: Interferencia, valorado de 1 a 5
QRO	: Aumentar la potencia del emisor
QRP	: Disminuir la potencia del emisor
QRT	: Cesar la emisión
QRV	: Estar preparado, dispuesto
QRX	: Cita para transmitir. En CB, «Manténgase a la Escucha»
QRY	: Turno para transmitir
QRZ	: Nombre de la estación que llama. En CB, «Quedar a la escucha»
QSA	: Fuerza de una señal. En CB Santiago. Valorado de 1 a 9
QSB	: Variaciones de la fuerza de señal. Desvanecimiento. Fading. Valorado de 1 a 5
QSL	: Acuse de recibo. Tarjeta confirmando comunicación
QSO	: Solicitar comunicación. En CB, además, comunicación directa entre dos o más estaciones
QSP	: Retransmisión a través de estación puente
QSY	: Pasar a transmitir en otra frecuencia o canal
QTC	: Mensaje a transmitir
QTH	: Localización geográfica de la estación
QTR	: Hora exacta
QUT	: Localización geográfica de accidente o siniestro

## CONDICIONES GENERALES DE GARANTÍA

Este dispositivo tiene garantía de **2 años** de piezas y mano de obra en su país de compra contra cualquier defecto de fabricación validado por nuestro departamento técnico. PRESIDENT El departamento de Servicio posventa se reserva el derecho de no aplicar la garantía en caso de que una avería sea causada por una antena que no sea la distribuida por el PRESIDENT. Se efectuará una extensión de **3 años** de garantía de forma sistemática por la compra simultánea de un dispositivo y una antena PRESIDENT, con lo que la duración total de la garantía es de **5 años**. Para que sea válido, el registro de la garantía debe completarse y enviarse en un plazo de 30 días después de la fecha de compra a PRESIDENT ELECTRONICS en línea en [www.president-electronics.us/warranty-registration](http://www.president-electronics.us/warranty-registration). También puede acceder a esta página de registro de garantía utilizando su teléfono inteligente para leer (la aplicación debe estar disponible) el código QR en la tarjeta de garantía adjunta. Recibirá un correo electrónico de confirmación si la inscripción se completó con éxito. Guarde una copia de este correo electrónico para sus registros.

Cualquier reparación en garantía será gratuita y los gastos de devolución correrán a cargo del PRESIDENT. Se debe incluir un comprobante de compra con el dispositivo que se va a reparar. Las fechas que figuran en el registro de la garantía y el comprobante de compra deben coincidir. En caso de que el dispositivo no esté cubierto por la garantía, se cobrará la reparación y devolución del dispositivo.

El PRESIDENT no enviará ni reemplazará ninguna pieza de repuesto en garantía. No continúe con la instalación del dispositivo sin leer el manual del usuario.

La garantía solo es válida en el país de compra.

Exclusiones (no cubiertas por la garantía):

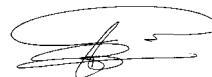
- Daños causados por accidente, choque o embalaje inadecuado.
- Transistores de potencia, micrófonos, luces, fusibles y los defectos de instalación y uso de especificaciones (incluidas, entre otras, antenas utilizadas con muy alta potencia, transistores de potencia de salida final (SWR), inversión de polaridades, malas conexiones, sobretensiones ...)
- La garantía no se puede extender debido a la falta de disponibilidad del dispositivo mientras se está atendiendo en el departamento de servicio posventa del PRESIDENT, ni por el cambio de uno o más componentes o piezas de repuesto.
- Transceptores que han sido modificados. La aplicación de la garantía se excluye en caso de modificación o mantenimiento deficiente realizado por un tercero no aprobado por PRESIDENT ELECTRONICS.

### Si nota un mal funcionamiento:

- Verifique la fuente de alimentación de su dispositivo y la calidad del fusible.
- Verifique que la antena y el micrófono estén conectados correctamente.
- Verifique que el nivel de silenciamiento esté ajustado correctamente; la configuración programada es la correcta.
- En caso de un mal funcionamiento real, póngase primero en contacto con su distribuidor. Él decidirá qué acción se debe tomar.

En caso de una intervención no cubierta por la garantía, se establecerá una estimación antes de cualquier reparación.

Gracias por su confianza en la calidad y experiencia del PRESIDENT. Le recomendamos que lea este manual cuidadosamente para estar completamente satisfecho con su compra.



La Dirección Técnica  
y el  
Departamento de Calidad





**WARNING:** This product can expose you to chemicals including Lead, which is known to the State of California to cause cancer and birth defects or other reproductive harm. For more information go to [www.P65Warnings.ca.gov](http://www.P65Warnings.ca.gov).

**AVERTISSEMENT :** Ce produit peut vous exposer à des agents chimiques, y compris le plomb, identifiés par l'État de Californie comme pouvant causer le cancer et des malformations congénitales ou autres effets nocifs sur la reproduction. Pour de plus amples informations, prière de consulter le site [www.P65Warnings.ca.gov](http://www.P65Warnings.ca.gov).

## **ATTENTION !**

*Avant toute utilisation, prenez garde de ne jamais émettre sans avoir branché l'antenne (connecteur **B** situé sur la face arrière de l'appareil), ni réglé le TOS (Taux d'Ondes Stationnaires)! Sinon, vous risquez de détruire l'amplificateur de puissance, ce qui n'est pas couvert par la garantie.*

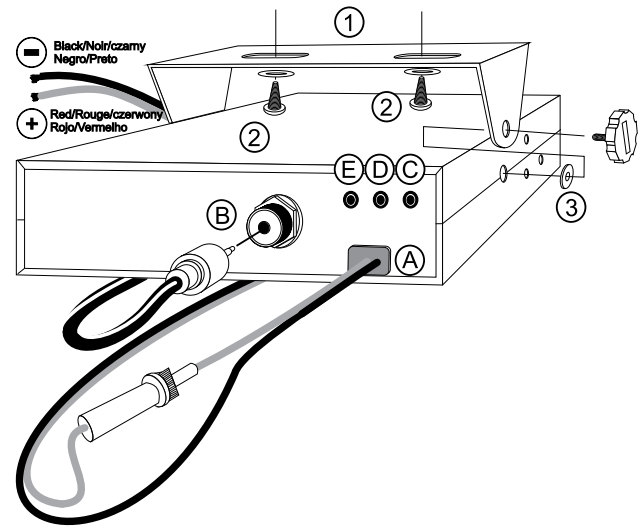
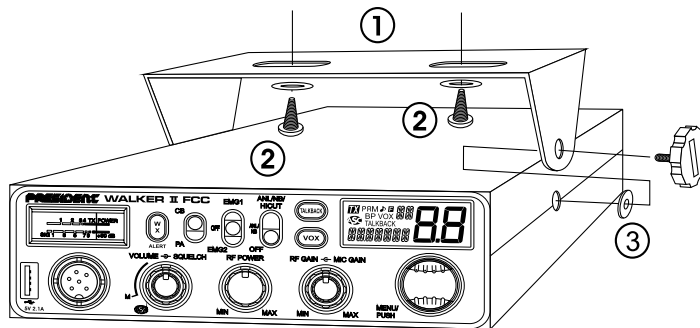
***La garantie de ce poste est valable uniquement dans le pays d'achat.***

Bienvenue dans le monde des émetteurs-récepteurs CB de la dernière génération. Cette nouvelle gamme de postes vous permet d'accéder à la communication électronique la plus performante. Grâce à l'utilisation de technologies de pointe garantissant des qualités sans précédent, votre PRESIDENT WALKER II FCC est un nouveau jalon dans la convivialité et la solution par excellence pour le pro de la CB le plus exigeant. Pour tirer le meilleur parti de toutes ses possibilités, nous vous conseillons de lire attentivement ce mode d'emploi avant d'installer et d'utiliser votre PRESIDENT WALKER II FCC.

## A) INSTALLATION

### 1) CHOIX DE L'EMPLACEMENT ET MONTAGE DU POSTE MOBILE

- Choisir l'emplacement ventilé et plus approprié pour une utilisation simple et pratique de votre poste mobile.
- Veiller à ce qu'il ne gêne pas le conducteur ni les passagers du véhicule.
- Prévoir le passage et la protection des différents câbles (alimentation, antenne, accessoires...) afin qu'ils ne viennent en aucun cas perturber la conduite du véhicule.
- Utiliser pour le montage le berceau (1) livré avec l'appareil, le fixer solidement à l'aide des vis auto taraudeuses (2) fournies (diamètre de perçage 3,2 mm / 0,126 in). Prendre garde à ne pas endommager le système électrique du véhicule lors du perçage du tableau de bord.
- Lors du montage, ne pas oublier d'insérer les rondelles de caoutchouc (3) entre le poste et son support. Celles-ci jouent en effet un rôle «d'amortisseur» et permettent une orientation et un serrage en douceur du poste.
- Choisir un emplacement pour le support du microphone et prévoir le passage de son cordon.



- NOTA :** Votre poste mobile possédant une prise microphone en façade peut être encastré dans le tableau de bord. Dans ce cas, il est recommandé d'y adjoindre un haut-parleur externe pour une meilleure écoute des communications (connecteur EXP SP situé sur la face arrière de l'appareil : C). Renseignez-vous auprès de votre revendeur le plus proche pour le montage sur votre appareil.

### 2) INSTALLATION DE L'ANTENNE

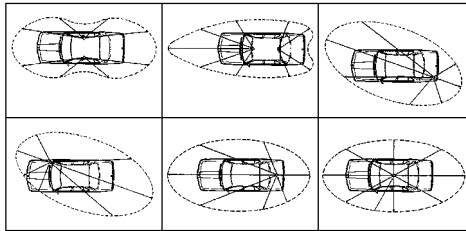
#### a) Choix de l'antenne

- En CB, plus une antenne est grande, meilleur est son rendement. Votre Point Conseil saura orienter votre choix.

#### b) Antenne mobile

- Il faut l'installer à un endroit du véhicule où il y a un maximum de surface métallique (plan de masse), en s'éloignant des montants du pare-brise et de la lunette arrière.
- Dans le cas où une antenne radiotéléphone est déjà installée, l'antenne doit être au-dessus de celle-ci.

- Il existe 2 types d'antennes : les pré-réglées et les réglables.  
Les pré-réglées s'utilisent de préférence avec un bon plan de masse (pavillon de toit ou malle arrière) et les réglables offrant une plage d'utilisation beaucoup plus large permettent de tirer parti de plans de masse moins importants (voir § **RÉGLAGE DU TOS** page 37).
- Pour une antenne à fixation par perçage, il est nécessaire d'avoir un excellent contact antenne/plan de masse; pour cela, gratter légèrement la tôle au niveau de la vis et de l'étoile de serrage.
- Lors du passage du câble coaxial, veiller à ne pas le pincer ou l'écraser (risque de rupture et/ou de court-circuit).
- Brancher l'antenne (**B**).



Lobe de Rayonnement

### c) Antenne fixe

- Veiller à ce qu'elle soit dégagée au maximum. En cas de fixation sur un mât, il faudra éventuellement haubaner conformément aux normes en vigueur (se renseigner auprès d'un professionnel). Les antennes et accessoires **PRESIDENT** sont spécialement conçus pour un rendement optimal de chaque appareil.

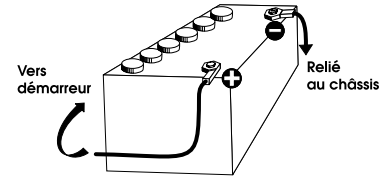
## 3) CONNEXION DE L'ALIMENTATION

Votre **PRESIDENT WALKER II FCC** est muni d'une protection contre les inversions de polarité. Néanmoins, avant tout branchement, vérifier vos connexions. Votre poste doit être alimenté par une source de courant continu de 12 Volts (**A**). À l'heure actuelle, la plupart des voitures et des camions fonctionnent avec une mise à la masse négative. On peut s'en assurer en vérifiant que la borne (-) de la batterie soit bien connectée au bloc moteur ou au châssis. Dans le cas contraire, consulter votre revendeur.

**ATTENTION** : Les camions possèdent généralement deux batteries et une installation électrique en 24 Volts. Il sera donc nécessaire d'intercaler dans le circuit électrique un convertisseur 24/12 Volts (Type **PRESIDENT CV 24/12**). Toutes les opérations de branchement suivantes doivent être effectuées cordon d'alimentation non raccordé au poste.

- S'assurer que l'alimentation soit bien de 12 Volts.
- Repérer les bornes (+) et (-) de la batterie (+ = rouge et - = noir). Dans le cas où il serait nécessaire de rallonger le cordon d'alimentation, utiliser un câble de section équivalente ou supérieure.
- Il est nécessaire de se connecter sur un (+) et un (-) permanents. Nous vous conseillons donc de brancher directement le cordon d'alimentation sur la batterie (le branchement sur le cordon de l'autoradio ou sur d'autres parties du circuit électrique pouvant dans certains cas favoriser la réception de signaux parasites).
- Brancher le fil rouge (+) à la borne positive de la batterie et le fil noir (-) à la borne négative de la batterie.
- Brancher le cordon d'alimentation au poste.

**ATTENTION** : Ne jamais remplacer le fusible d'origine par un modèle d'une valeur différente !



## 4) OPÉRATIONS DE BASE À EFFECTUER AVANT LA PREMIÈRE UTILISATION, SANS PASSER EN ÉMISSION (sans appuyer sur la pédale du microphone)

- Brancher le microphone.
- Vérifier le branchement de l'antenne.
- Mise en marche de l'appareil : tourner le bouton **VOLUME (1)** dans le sens des aiguilles d'une montre.
- Tourner le bouton du **SQUELCH (2)** au minimum, en position **M**.
- Régler le volume à un niveau convenable.
- Amener le poste sur le canal 20 à l'aide du rotateur **PUSH (6)** ou des touches **UP/DN (18)** du microphone.

## 5) RÉGLAGE DU TOS (Taux d'ondes stationnaires)

**ATTENTION** : Opération à effectuer impérativement lors de la première utilisation de l'appareil ou lors d'un changement d'antenne. Ce réglage doit être fait dans un endroit dégagé, à l'air libre.

### \* Réglage avec le TOS-mètre intégré

**NOUVEAU, FACILE ET TRÈS UTILE** - Réglage du TOS par bips sonores

Voir menu **AJUSTEMENT DU TOS** page 37.

\* **Réglage avec TOS-mètre externe (type TOS-1 PRESIDENT)**

a) **Branchement du Tos-mètre :**

- Brancher le Tos-mètre entre le poste et l'antenne, le plus près possible du poste (utilisez pour cela un câble de 40 cm / 15,75" maximum type CA-2C PRESIDENT).

b) **Réglage du Tos :**

- Amener le poste sur le canal 20.
- Positionner le commutateur du Tos-mètre en position **FWD** (calibrage).
- Appuyer sur la pédale **PIT (17)** pour passer en émission.
- Amener l'aiguille sur l'index ▼ à l'aide du bouton de calibrage.
- Basculer le commutateur en position **REF** (lecture de la valeur du TOS). La valeur lue sur le vu-mètre doit être très proche de 1. Dans le cas contraire, rajuster votre antenne jusqu'à obtention d'une valeur aussi proche que possible de 1 (une valeur de TOS comprise entre 1 et 1,8 est acceptable).
- Il est nécessaire de recalibrer le Tos-mètre, entre chaque opération de réglage de l'antenne.

**Remarque :** Afin d'éviter les pertes et atténuations dans les câbles de connexion entre la radio et ses accessoires, PRESIDENT recommande une longueur de câble inférieure à 3 m (118,11").

Maintenant, votre poste est prêt à fonctionner.

## B) UTILISATION

### 1) MARCHE/ARRÊT ~ VOLUME

Pour **allumer** votre poste : tourner le bouton **VOLUME (1)** dans le sens des aiguilles d'une montre. Si la fonction **BIP DE TOUCHES** est active (voir menu **BIP DE TOUCHES** page 36), un bip sonore est émis. Votre radio est allumée. L'afficheur montre brièvement le type de microphone. Voir menu **TYPE DE MICROPHONE** page 37.

Pour **éteindre** votre poste : tourner le bouton **VOLUME (1)** dans le sens inverse des aiguilles d'une montre jusqu'au clic d'arrêt. Votre radio est éteinte.



Pour **ajuster** le volume sonore, tourner le bouton **VOLUME (1)** dans le sens des aiguilles d'une montre. Pour diminuer le volume, tourner le bouton dans le sens inverse des aiguilles d'une montre.

### 2) ASC (Automatic Squelch Control) / SQUELCH

Cette fonction permet de **supprimer** les bruits de fond indésirables en l'absence de communication. Le squelch ne joue ni sur le volume sonore ni sur la puissance d'émission, mais il permet d'améliorer considérablement le confort d'écoute.

### a) ASC : SQUELCH À RÉGLAGE AUTOMATIQUE

Brevet mondial, exclusivité PRESIDENT

Tourner le bouton **SQUELCH (2)** dans le sens contraire des aiguilles d'une montre en position **ASC**.  apparaît sur l'afficheur. Aucun réglage manuel répétitif et optimisation permanente entre la sensibilité et le confort d'écoute lorsque l'**ASC** est actif. Cette fonction peut être désactivée par rotation du bouton dans le sens des aiguilles d'une montre. Dans ce cas le réglage du squelch redevient manuel.  disparaît de l'afficheur.

### b) SQUELCH MANUEL

Tourner le bouton **SQUELCH (2)** dans le sens des aiguilles d'une montre jusqu'au point exact où tout bruit de fond disparaît. C'est un réglage à effectuer avec précision, car mis en position maximum (dans le sens des aiguilles d'une montre), seuls les signaux les plus forts peuvent être perçus.

### 3) RF POWER

En mode **TX**, tourner le bouton **RF POWER (3)** pour **régl**er la puissance de sortie; dans le sens des aiguilles d'une montre pour **augmenter** la puissance, dans le sens inverse des aiguilles d'une montre pour **diminuer** la puissance.

### 4) MIC GAIN

Réglage du niveau de sensibilité du microphone.

*La position normale de cette fonction se situe au maximum dans le sens des aiguilles d'une montre.*

### 5) RF GAIN

Réglage de la sensibilité en réception. Position maximum dans le cas de réception de communications longue distance. Vous pouvez **diminuer** le **RF GAIN**, pour éviter des distorsions, lorsque l'interlocuteur est proche. Réduisez le gain en réception dans le cas d'une communication rapprochée avec un correspondant non équipé d'un **RF POWER**.

*La position normale de cette fonction se situe au maximum dans le sens des aiguilles d'une montre.*

### 6) ROTATEUR «PUSH»

En fonctionnement normal, tourner le rotateur **PUSH (6)** pour **modifier** le canal. Tourner le rotateur dans le sens des aiguilles d'une montre pour **augmenter** d'un canal et dans le sens inverse des aiguilles d'une montre pour **diminuer** d'un canal.

En mode **MENUS** (une pression longue de 3 secondes environ sur le rotateur **PUSH (6)** permet d'**activer** ce mode). Voir § **MENUS** page 35.



1. Tourner le rotateur **PUSH (6)** pour **sélectionner** la fonction à paramétrer.
2. Appuyer brièvement sur le bouton **PUSH (6)** pour **valider**. Le **paramètre** de réglage de la fonction choisie clignote dans l'afficheur.
3. Tourner le rotateur **PUSH (6)** pour **modifier** la **valeur** du paramètre.
4. Une nouvelle pression sur le bouton **PUSH (6)** permet de **valider** la valeur choisie. Le paramètre cesse de clignoter et si la fonction possède plus d'un seul paramètre, le paramètre suivant clignote.

Voir le § **TOUCHES UP/DN DU MICROPHONE** page 35.

## 7) AFFICHEUR LCD



	Indique l'émission
	Mode PA (Public Address) activé
	Modulation en AM
	Fonction ROGER BEEP activée
	Fonction BEEP des touches activée
	Automatic Squelch Control activé
	Fonction VOX activée
	Fonction SCAN activée (le point clignote)
<b>TALKBACK</b>	Fonction TALKBACK activée
	Mode MENU activé
	Indique le canal sélectionné (gros digits)
	Mode CANAUX MÉTÉOROLOGIQUES est activé
	Fonction ALERT activée
	Indique la fréquence ou le menu

## 8) VOX ~ AJUSTEMENT DU VOX

### VOX (pression brève)

La fonction **VOX** permet de **transmettre** en parlant dans le microphone d'origine (ou dans le microphone vox optionnel) sans appuyer sur la pédale **PTT (17)**. L'utilisation d'un microphone vox optionnel connecté à l'arrière du poste - prise **VOX (E)** - **désactive** le microphone d'origine. Appuyer brièvement sur la touche **VOX (8)** afin d'**activer** la fonction **VOX**. «**VOX**» s'affiche. Appuyer à nouveau sur la touche **VOX (8)** pour **désactiver** la fonction **VOX**. «**VOX**» disparaît de l'afficheur.

### AJUSTEMENT DU VOX (pression longue)

Appuyer pendant 2 secondes sur la touche **VOX (8)** pour **entrer** dans le mode **Ajustement du VOX**.

Trois réglages permettent d'ajuster le **VOX**. La **Sensibilité**: **SET L**, l'**Anti-Vox** : **SET R** et la **Temporisation** **SET T** (en boucle dans cet ordre).

1. Pour modifier un autre réglage que celui affiché, appuyer brièvement sur la touche **VOX (8)** pour **sélectionner** le réglage suivant ou...
  2. Tourner le rotateur **PUSH (6)** ou appuyer sur les touches **UP/DN (18)** du microphone pour **modifier** la valeur du réglage.
  3. Appuyer à nouveau brièvement sur la touche **VOX (8)** pour **mémoriser** cette valeur et **passer** au réglage suivant...
  4. Une fois les réglages effectués, appuyer sur la pédale d'émission **PTT (17)** pour **quitter** le mode **Ajustement du VOX**. Si aucun ajustement n'est fait durant 5 secondes, l'appareil quitte automatiquement la fonction.
- **Sensibilité** «**SET L**» : permet de régler la sensibilité du microphone (original ou vox optionnel) pour une qualité de transmission optimum. Niveau réglable de **1** (niveau haut) à **9** (niveau bas). Valeur par défaut : **5**.
  - **Anti-Vox** «**SET R**» : permet d'empêcher l'émission générée par les bruits ambiants. Niveau réglable: **BF** (émet en fonction du niveau du squelch) et de **1** (sans anti-vox) à **9** (niveau bas). Valeur par défaut: **9**.
  - **Temporisation** «**SET T**» : permet d'éviter la coupure «brutale» de la transmission en rajoutant une temporisation à la fin de la parole. Niveau réglable de **1** (délai court) à **9** (délai long). Valeur par défaut : **1**.

L'ajustement du **VOX** n'active pas automatiquement la fonction **VOX**.

## 9) TALKBACK

Cette fonction permet d'entendre votre propre modulation dans le haut-parleur interne ou externe optionnel connecté au jack EXT. SP. **(C)**.

Appuyer sur la touche **TALKBACK (9)** pour **activer/désactiver** la fonction **TALKBACK**. Quand la fonction est active, «**TALKBACK**» clignote dans l'affi-

cheur durant 3 secondes en affichant le niveau courant du **TALKBACK** puis reste affiché en permanence. Voir § **NIVEAU DU TALKBACK** page 38.

## 10) FILTRES ANL/NB - HI-CUT

Commutateur 3 positions : **Position basse** : aucun filtre n'est activé. **Position centrale** : seuls les filtres **ANL** et **NB** sont activés. **Position haute** : tous les filtres (**ANL**, **NB** et **HI-CUT**) sont activés.

**NB** : Noise Blanker / **ANL** : Automatic Noise Limiter. Ces filtres permettent de *réduire* les bruits de fond et certains parasites de réception.

**HI-CUT** : *Coupe* les interférences de haute fréquence et doit être utilisé en fonction des conditions de réception.

## 11) CANAUX PRIORITAIRES

Les canaux prioritaires seront automatiquement *sélectionnés* en commutant cette touche (11). Commutateur 3 positions : **EMG1** / le canal prioritaire 1 est activé. **EMG2** / le canal prioritaire 2 est activé. **OFF** / aucun canal prioritaire n'est activé.

Les canaux prioritaires par défaut sont le canal **9 (EMG1)** et le canal **19 (EMG2)**

Voir les menus **RÉGLAGE DU CANAL PRIORITAIRE 1 et 2** page 37 pour configurer les canaux prioritaires.

**Remarque** : L'activation d'un canal prioritaire ne permet plus d'utiliser les modes **PA** ou **WX**, ou de lancer la fonction **SCAN**. si la fonction **KEY BEEP** est active, un bip d'erreur est émis. «**EMG**» et le numéro du canal clignotent pour indiquer une manipulation non autorisée. Positionner le commutateur (11) sur la position **OFF** pour pouvoir utiliser ces fonctions.

## 12) CB/PA

Permet de commuter entre les modes **CB** et **PA** (Public Address).

Un haut-parleur de sonorisation extérieure peut être connecté sur le poste par une prise jack située sur le panneau arrière PA.SP. (D). Tourner le bouton du **MIC GAIN** (4) pour ajuster le volume du **PA**.

Pour plus de détails sur le fonctionnement en mode **PA**, voir le menu **RÉGLAGE DU PA** page 37.

## 13) MODE MÉTÉO (WX) ~ ALERTE

**MODE MÉTÉO (WX)** (pression brève)


**Remarque** : Les fonctions courantes de la **CB** ne sont pas permises en mode **WX**. Si la fonction **KEY BEEP** est active, un bip d'erreur est émis à l'appui sur une touche non autorisée.

Sélectionner un canal autre que les canaux d'urgence **EMG1** ou **EMG2**. Le commutateur des **CANAUX PRIORITAIRES** (11) doit se trouver en position **OFF**. Appuyer brièvement sur la touche **WX** (13) pour alterner entre les modes **CB** et **WX**. Quand le mode météo (**WX**) est actif, «**WX**» s'affiche. Le mode **WX** permet d'écouter des bulletins d'information météorologique. Quand ce mode est activé, tourner le rotateur **PUSH** (6) ou utiliser les touches **UP/DN** (18) du microphone pour *rechercher*, parmi les 7 canaux météorologiques, le canal correspondant à votre localisation (Voir le **TABLEAU DES FRÉQUENCES MÉTÉO** page 55).

L'afficheur indique le canal choisi.

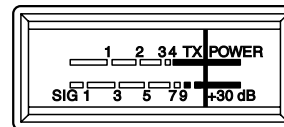
**ALERTE** (pression longue)

**Remarque** : La sirène d'alerte ne se déclenche que dans les modes **PA** ou **CB**. Elle ne fonctionne pas en mode **WX**.

Appuyer longuement sur la touche **ALERTE** (13), pour *activer/désactiver* la fonction. Quand la fonction est active le dernier digit des fréquences affiche un **A** (  ). Si la fonction est active et qu'un signal est détecté dans la canal météo actif, l'appareil émet une alerte «**SIRÈNE**». L'appareil sort des modes **CB** ou **PA** pour passer en mode **WX**.

Durant la sirène d'alerte, appuyer sur la pédale **PIT** (17) pour arrêter le son.

## 14) BARGRAPH



*Visualise* le niveau de réception et le niveau de puissance émise.

## 15) PRISE Microphone 6 BROCHES

Elle se situe en façade de votre appareil et facilite ainsi son intégration dans le tableau de bord de votre véhicule.

Voir le schéma câblage page 56.

## 16) PRISE DE CHARGE USB

La prise **USB** (16) permet de recharger un smartphone, une tablette ou tout autre appareil rechargeable 5 V - 2,1 A.

## 17) PÉDALE D'ÉMISSION PTT (Push To Talk)

Bouton d'émission, appuyer pour *parler*, **PTT** s'affiche. Relâcher pour *recevoir* un message, **PTT** disparaît de l'afficheur.

## TOT (Time Out Timer)

Si la touche **PIT** (17) est appuyée pendant plus de 5 minutes, l'afficheur clignote et l'émission *se termine*. Un bip est émis jusqu'à ce que la touche **PIT** (17) soit relâchée.

## 18) TOUCHES UP/DN DU MICROPHONE ~ SCAN

### TOUCHES UP/DN DU MICROPHONE (pression brève)

En fonctionnement normal, utiliser les touches **UP** ou **DN** (18) pour *modifier* les canaux. **UP** pour *augmenter* et **DN** pour *diminuer* d'un canal.

En mode **MENUS** (une pression longue de 3 secondes environ sur le rotateur **PUSH** (6) permet d'*activer* ce mode (voir § **MENUS** page 35)), les touches **UP** ou **DN** (18) permettent de sélectionner le menu à paramétrer.

Voir le § **ROTATEUR «PUSH»** page 32.

### SCAN (pression longue)

Maintenir appuyer une des touches **UP** ou **DN** (18) du microphone pour *activer* la fonction **SCAN**. Le point entre les deux digits des canaux clignote pour indiquer que la fonction est active.

Le balayage s'arrête dès qu'un canal est actif. Le balayage démarre automatiquement 3 secondes après la fin de l'émission si aucune touche n'est activée pendant ce temps. En mode **SCANNING**, tourner le rotateur **PUSH** (6) ou appuyer sur les touches **UP/DN** (18) du microphone pour *changer* la direction de balayage des canaux.

### Scan des canaux CB

En mode **CB**, maintenir appuyer une des touches **UP** ou **DN** (18) du microphone durant  $\pm 7$  secondes ou jusqu'à ce qu'un bip soit émis pour activer la fonction **SCAN des canaux CB**.

Appuyer sur la pédale **PIT** (17) pour *quitter* la fonction **SCAN des canaux CB**. Le point clignotant entre les deux digits des canaux disparaît de l'afficheur.

### Scan des canaux Météo

En mode **WX**, maintenir une des touches **UP** ou **DN** (18) du microphone appuyer durant  $\pm 3$  secondes ou jusqu'à ce qu'un bip soit émis pour activer la fonction **SCAN des canaux Météo**

Appuyer durant 3 secondes sur la touche **TALKBACK** (9) pour *quitter* la fonction **SCAN des canaux Météo**. Le point clignotant entre les deux digits des canaux disparaît de l'afficheur.

**Remarque** : Le scan des canaux météo peut tourner en tâche de fond pendant l'utilisation du mode **CB**.

## A) ALIMENTATION (13,8 V)

## B) PRISE D'ANTENNE (SO-239)

## C) PRISE POUR HAUT-PARLEUR EXTERNE OPTIONNEL (8 $\Omega$ , $\emptyset$ 3,5 mm)

## D) PRISE POUR HAUT-PARLEUR PA (Public Address) OPTIONNEL (8 $\Omega$ , $\emptyset$ 3,5 mm)

## E) PRISE POUR MICROPHONE VOX OPTIONNEL (8 $\Omega$ , $\emptyset$ 2,5 mm)

## C) MENUS

L'ordre des 11 fonctions est celui décrit dans ce manuel. Toutefois, la fonction affichée en entrant dans les **MENUS** sera la dernière fonction modifiée par l'utilisateur.

Quelle que soit la fonction, la procédure est identique :

Appuyer pendant 3 secondes sur le bouton **PUSH** (6) pour *entrer* dans les **MENUS**. **■** s'affiche.

1. Tourner le rotateur **PUSH** (6) ou utiliser les touches **UP/DN** (18) du microphone pour *sélectionner* le menu.
2. Appuyer sur le bouton **PUSH** (6) pour *valider*. Le **paramètre** de réglage du menu choisi clignote dans l'afficheur.
3. Tourner le rotateur **PUSH** (6) ou utiliser les touches **UP/DN** (18) du microphone pour *modifier* la valeur du paramètre.
4. Une nouvelle pression sur le bouton **PUSH** (6) permet de *valider* la valeur choisie. Le paramètre cesse de clignoter et si la fonction possède plus d'un seul paramètre, le paramètre suivant clignote.
5. Si aucune touche n'est pressée, l'appareil *sort* des **MENUS** au bout de 10 secondes. **■** disparaît de l'afficheur.

**Remarque** : Les touches **UP/DN** (18) du microphone ont le même effet que la rotation du bouton **PUSH** (6). La pédale d'émission **PIT** (17) valide le dernier réglage et sort des **MENUS**. **■** disparaît de l'afficheur.

## 1) COULEUR

Cette fonction permet de *choisir* la couleur d'affichage de l'écran LCD.

Appuyer pendant 3 secondes sur le bouton **PUSH** (6) pour *accéder* aux **MENUS**. **■** s'affiche.

1. Tourner le rotateur **PUSH** (6) ou utiliser les touches **UP/DN** (18) du microphone pour *sélectionner* la fonction **COULEUR**
2. Appuyer sur le bouton **PUSH** (6). La valeur de la couleur actuelle clignote dans l'afficheur.
3. Tourner le rotateur **PUSH** (6) ou utiliser les touches **UP/DN** (18) du microphone pour *sélectionner* la couleur désirée. Les 7 couleurs disponibles s'affichent en boucle :

→ rouge / vert / bleu / cyan / jaune / violet / bleu clair  
 rE / 9r / bL / cY / yE / PU / CL

- Une nouvelle pression sur le bouton **PUSH (6)** permet de **valider** la couleur choisie. La valeur cesse de clignoter. **a)** Repartir au point **1** pour **régler** une autre fonction ou **b)** Appuyer sur la pédale **PIT (17)** pour **valider et sortir** des **MENUS**. **E** disparaît de l'afficheur.
- Si aucune touche n'est pressée, l'appareil **sort** des **MENUS** au bout de 10 secondes, **E** disparaît de l'afficheur.

La couleur par défaut est rE (rouge).

## 2) BIP DE TOUCHES

Quand la fonction est active, un bip sonore **retentit** lorsqu'une touche est enfoncée, lors d'un changement de canal, etc. «BP» apparaît sur l'afficheur.

Appuyer pendant 3 secondes sur le bouton **PUSH (6)** pour **accéder** aux **MENUS**. **E** s'affiche.

- Tourner le rotateur **PUSH (6)** ou utiliser les touches **UP/DN (18)** du microphone pour **sélectionner** la fonction **BP**.
- Appuyer sur le bouton **PUSH (6)**. L'état actuel clignote dans l'afficheur.
- Tourner le rotateur **PUSH (6)** ou utiliser les touches **UP/DN (18)** du microphone pour **activer** **On** / **désactiver** **Off** la fonction.
- Une nouvelle pression sur le bouton **PUSH (6)** permet de **valider** le choix. La valeur cesse de clignoter. **a)** Repartir au point **1** pour **régler** une autre fonction ou **b)** Appuyer sur la pédale **PIT (17)** pour **valider et sortir** des **MENUS**. **E** disparaît de l'afficheur.
- Si aucune touche n'est pressée, l'appareil **sort** des **MENUS** au bout de 10 secondes, **E** disparaît de l'afficheur.

La valeur par défaut de la fonction est **On** (activée).

## 3) ROGER BEEP

Quand la fonction est active, l'icône **♪** apparaît sur l'afficheur.

Le Roger Beep **émet** un bref signal lorsqu'on relâche la pédale **PIT (17)** du microphone pour indiquer la fin de l'émission à son correspondant. Historiquement, la Radio Amateur étant un mode de communication «simplex», c'est-à-dire qu'il n'est pas possible de parler et d'écouter en même temps (comme c'est le cas pour le téléphone par exemple), il était d'usage de dire «Roger» une fois que l'on avait fini de parler afin de prévenir son correspondant qu'il pouvait parler à son tour. Le mot «Roger» a été remplacé par un bip significatif, d'où son nom «Roger Beep».

Appuyer pendant 3 secondes sur le bouton **PUSH (6)** pour **accéder** aux **MENUS**. **E** s'affiche.

- Tourner le rotateur **PUSH (6)** ou utiliser les touches **UP/DN (18)** du microphone pour **sélectionner** la fonction **RG BP**.
- Appuyer sur le bouton **PUSH (6)**. L'état actuel clignote dans l'afficheur.
- Tourner le rotateur **PUSH (6)** ou utiliser les touches **UP/DN (18)** du microphone pour **activer** **On** / **désactiver** **Off** la fonction.
- Une nouvelle pression sur le bouton **PUSH (6)** permet de **valider** le choix. La valeur cesse de clignoter. **a)** Repartir au point **1** pour **régler** une autre fonction ou **b)** Appuyer sur la pédale **PIT (17)** pour **valider et sortir** des **MENUS**. **E** disparaît de l'afficheur.
- Si aucune touche n'est pressée, l'appareil **sort** des **MENUS** au bout de 10 secondes, **E** disparaît de l'afficheur.  
La valeur par défaut de la fonction est **Off** (désactivée).

## 4) RÉGLAGE DE LA TONALITÉ

La fonction **tone** permet de changer la tonalité en réception. 11 niveaux de -5 à +5.

Appuyer pendant 3 secondes sur le bouton **PUSH (6)** pour **accéder** aux **MENUS**. **E** s'affiche.

- Tourner le rotateur **PUSH (6)** ou utiliser les touches **UP/DN (18)** du microphone pour **sélectionner** la fonction **tone**.
- Appuyer sur le bouton **PUSH (6)**. La valeur actuelle clignote dans l'afficheur.
- Tourner le rotateur **PUSH (6)** ou utiliser les touches **UP/DN (18)** du microphone pour **ajuster** le niveau de la tonalité désiré.
- Une nouvelle pression sur le bouton **PUSH (6)** permet de **valider** le choix. La valeur cesse de clignoter. **a)** Repartir au point **1** pour **régler** une autre fonction ou **b)** Appuyer sur la pédale **PIT (17)** pour **valider et sortir** des **MENUS**. **E** disparaît de l'afficheur.
- Si aucune touche n'est pressée, l'appareil **sort** des **MENUS** au bout de 10 secondes, **E** disparaît de l'afficheur.

La valeur par défaut de la fonction est **0**.

## 5) DIMMER

La fonction **dimmer** permet de **régler** la luminosité du rétro éclairage (de 1 à 9) ou de la **désactiver** (**Off**: pas de rétro éclairage).

Appuyer pendant 3 secondes sur le bouton **PUSH (6)** pour **accéder** aux **MENUS**. **E** s'affiche.

- Tourner le rotateur **PUSH (6)** ou utiliser les touches **UP/DN (18)** du microphone pour **sélectionner** la fonction **dimmer**.
- Appuyer sur le bouton **PUSH (6)**. La valeur du niveau actuel clignote dans l'afficheur.
- Tourner le rotateur **PUSH (6)** ou utiliser les touches **UP/DN (18)** du microphone pour **ajuster** le niveau de luminosité désiré.

- Une nouvelle pression sur le bouton **PUSH (6)** permet de *valider* la valeur choisie. La valeur cesse de clignoter. **a)** Repartir au point **1** pour *régler* une autre fonction ou **b)** Appuyer sur la pédale **PIT (17)** pour *valider et sortir* des **MENUS**. **[F]** disparaît de l'afficheur.
- Si aucune touche n'est pressée, l'appareil *sort* des **MENUS** au bout de 10 secondes, **[F]** disparaît de l'afficheur.

*La luminosité par défaut est : 9.*

## 6) RÉGLAGE DU CANAL PRIORITAIRE 1

Permet de *définir* le canal prioritaire 1.

Appuyer pendant 3 secondes sur le bouton **PUSH (6)** pour *accéder* aux **MENUS**. **[F]** s'affiche.

- Tourner le rotateur **PUSH (6)** ou utiliser les touches **UP/DN (18)** du microphone pour *sélectionner* la fonction **[M] 1**.
- Appuyer sur le bouton **PUSH (6)**. Le canal clignote dans l'afficheur.
- Tourner le rotateur **PUSH (6)** ou utiliser les touches **UP/DN (18)** du microphone pour *sélectionner* le canal.
- Une nouvelle pression sur le bouton **PUSH (6)** permet de *valider* le choix. Le canal cesse de clignoter. **a)** Repartir au point **1** pour *régler* une autre fonction ou **b)** Appuyer sur la pédale **PIT (17)** pour *valider et sortir* des **MENUS**. **[F]** disparaît de l'afficheur.
- Si aucune touche n'est pressée, l'appareil *sort* des **MENUS** au bout de 10 secondes, **[F]** disparaît de l'afficheur.

*Le canal prioritaire 1 par défaut est le canal 9.*

*Voir le § CANAUX PRIORITAIRES page 34.*

## 7) RÉGLAGE DU CANAL PRIORITAIRE 2

Permet de *définir* le canal prioritaire 2.

Appuyer pendant 3 secondes sur le bouton **PUSH (6)** pour *accéder* aux **MENUS**. **[F]** s'affiche.

- Tourner le rotateur **PUSH (6)** ou utiliser les touches **UP/DN (18)** du microphone pour *sélectionner* la fonction **[M] 2**. Les points **2 à 5** sont identiques à ceux du § **RÉGLAGE DU CANAL PRIORITAIRE 1**.

*Le canal prioritaire 2 par défaut est le canal 19.*

*Voir le § CANAUX PRIORITAIRES page 34.*

## 8) AJUSTEMENT DU TOS

Cette fonction permet de *régler* le TOS (Taux d'Ondes Stationnaires) par bips sonores.

Appuyer pendant 3 secondes sur le bouton **PUSH (6)** pour *accéder* aux **MENUS**. **[F]** s'affiche.

- Tourner le rotateur **PUSH (6)** ou utiliser les touches **UP/DN (18)** du microphone pour *sélectionner* la fonction **[S] R**.
- Appuyer sur le bouton **PUSH (6)**. Le poste passe automatiquement en mode **TX** sans presser la pédale **PIT (17)** et le calibrage commence. Le temps de calibrage est de 5 minutes maximum. Un décompte se fait dans l'afficheur.
- Ajuster l'antenne.
- Le bip\* est continu quand la valeur du **TOS** est égale à **[1]**. L'espace entre les bips devient de plus en plus grand au fur et à mesure que la valeur du **TOS** s'éloigne de **[1]**. L'afficheur indique la valeur du **TOS**. Par exemple **2,5**.
- Appuyer sur la pédale **PIT (17)** pour *sortir* du mode **MENUS**. **[F]** disparaît de l'afficheur.

\*Le volume du bip est réglable avec le bouton **VOLUME (1)**. Vérifier que le volume soit réglé à un niveau convenable.

*Voir le § RÉGLAGE DU TOS page 31.*

## 9) TYPE DE MICROPHONE

Le PRESIDENT WALKER II FCC peut être utilisé tant avec un microphone électret que dynamique 6 broches PRESIDENT (*voir câblage du microphone page 56*). À l'allumage du poste, le type de microphone courant s'affiche brièvement.

Appuyer pendant 3 secondes sur le bouton **PUSH (6)** pour *accéder* aux **MENUS**. **[F]** s'affiche.

- Tourner le rotateur **PUSH (6)** ou utiliser les touches **UP/DN (18)** du microphone pour *sélectionner* la fonction **[M] E TP**.
- Appuyer sur le bouton **PUSH (6)**. Le paramètre actuel clignote dans l'afficheur.
- Tourner le rotateur **PUSH (6)** ou utiliser les touches **UP/DN (18)** du microphone pour *sélectionner* le type de microphone **EL** (électret) ou **d4** (dynamique).
- Une nouvelle pression sur le bouton **PUSH (6)** permet de *valider* le choix. La valeur cesse de clignoter. **a)** Repartir au point **1** pour *régler* une autre fonction ou **b)** Appuyer sur la pédale **PIT (17)** pour *valider et sortir* des **MENUS**. **[F]** disparaît de l'afficheur.
- Si aucune touche n'est pressée, l'appareil *sort* des **MENUS** au bout de 10 secondes, **[F]** disparaît de l'afficheur.

*Le type de microphone par défaut est EL (électret).*

## 10) RÉGLAGE DU PA (Public Address)

Cette fonction permet de *sélectionner* le mode de fonctionnement du Public Address PA.

Appuyer pendant 3 secondes sur le bouton **PUSH (6)** pour *accéder* aux **MENUS**. **■** s'affiche.

1. Tourner le rotateur **PUSH (6)** ou utiliser les touches **UP/DN (18)** du microphone pour *sélectionner* la fonction **SET**.
2. Appuyer sur le bouton **PUSH (6)**. Le paramètre actuel clignote dans l'afficheur.
3. Tourner le rotateur **PUSH (6)** ou utiliser les touches **UP/DN (18)** du microphone pour *choisir* le paramètre **In**, **UF** ou **PR**.
4. Une nouvelle pression sur le bouton **PUSH (6)** permet de *valider* le choix. Le paramètre cesse de clignoter. **a)** Repartir au point **1** pour *régler* une autre fonction ou **b)** Appuyer sur la pédale **PTT (10)** pour *valider et sortir* des **MENUS**. **■** disparaît de l'afficheur.
5. Si aucune touche n'est pressée, l'appareil *sort* des **MENUS** au bout de 10 secondes, **■** disparaît de l'afficheur.

**In** : la *modulation du microphone* est transmise au haut-parleur externe du Public Address connecté au jack PA.SP. **(D)**. Le *signal reçu* est renvoyé vers le haut-parleur interne (ou le haut-parleur externe optionnel connecté au jack EXT.SP. **(C)**). «**PA**» clignote en alternance avec le mode de modulation (AM).

**UF** : la réception n'est plus fonctionnelle. Seule la *modulation du microphone* est transmise au haut-parleur du Public Address connecté au jack PA.SP. **(D)**. **PR** et le volume du **PA** s'affichent.

**PR** : la *modulation du microphone* et le *signal reçu* sont transmis au haut-parleur du Public Address connecté au jack PA.SP. **(D)**. «**PA**» clignote en alternance avec le mode de modulation (AM).

Le bouton **MIC GAIN (4)** permet de régler le niveau audio du mode **PA**.

Le type de Public Address par défaut est **In**

Voir le § **CB/PA** page 34.

## 1) RÉINITIALISATION

Permet de réinitialiser tous les paramètres définis par l'utilisateur et de revenir aux valeurs par défaut.

Appuyer pendant 3 secondes sur le bouton **PUSH (6)** pour *accéder* aux **MENUS**. **■** s'affiche.

1. Tourner le rotateur **PUSH (6)** ou utiliser les touches **UP/DN (18)** du microphone pour *sélectionner* le menu **RESET**.
2. Appuyer sur le bouton **PUSH (6)**. **RL** clignote dans l'afficheur.
3. Appuyer à nouveau sur le bouton **PUSH (6)** pour *restaurer* les paramètres d'usine. L'appareil sort des **MENUS**.
4. Si aucune touche n'est pressée, l'appareil *sort* des **MENUS** au bout de 10 secondes, **■** disparaît de l'afficheur.

## D) FONCTION AVEC LA PÉDALE D'ÉMISSION PTT

### NIVEAU DE TALKBACK

Cette fonction permet d'ajuster le niveau du volume du **TALKBACK**.

1. Activer la fonction **TALKBACK** (voir § **TALKBACK** page 33).
2. Maintenir appuyée la pédale d'émission **PTT (17)** puis tourner le rotateur **PUSH (6)** pour *augmenter* (sens des aiguilles d'une montre) / *diminuer* (sens inverse des aiguilles d'une montre) le niveau du volume du **TALKBACK**.
3. Relâcher la pédale **PTT (17)**.

## E) CARACTÉRISTIQUES TECHNIQUES

### 1) GÉNÉRALES

- Canaux	: 40
- Modes de modulation	: AM
- Gamme de fréquence	: de 26.965 MHz à 27.405 MHz
- Canaux Météo	: de 162,400 MHz à 162,550 MHz
- Impédance d'antenne	: 50 ohms
- Tension d'alimentation	: 13,8 V
- Dimensions	: 170 (L) x 160 (P) x 52 (H) mm : 6,692 (W) x 6,299 (D) x 2,047 (H) pouces
- Poids	: ± 1,1 kg / 2,43 lbs
- Accessoires inclus	: 1 microphone electret UP/DOWN et son support, 1 berceau avec vis de fixation et cordon d'alimentation avec fusible

### 2) ÉMISSION

- Tolérance de fréquence	: +/- 200 Hz
- Puissance porteuse	: 4 W
- Émissions parasites	: inférieure à 4 nW (-54 dBm)
- Réponse en fréquence	: 300 Hz à 3 kHz
- Puissance émise dans le canal adj.	: inférieure à 20 µW
- Sensibilité du microphone	: 3,0 mV
- Consommation	: < 2 A max. (avec modulation)
- Distorsion maxi. du signal modulé	: 1,8 %

### 3) RÉCEPTION

- Sensibilité maxi à 20 dB sinad	: 0,5 µV -113 dBm
- Réponse en fréquence	: 300 Hz à 3 kHz
- Sélectivité du canal adj.	: 60 dB
- Puissance audio maxi	: 3 W
- Sensibilité du squelch	: minimum : 0,2 µV - 120 dBm maximum : 1 mV - 47 dBm

- Taux de réj. fréq. image : 60 dB
- Taux de réjection fréquence intermédiaire : 70 dB
- Consommation : 180 ~ 500 mA max.

## F) GUIDE DE DÉPANNAGE

### 1) VOTRE POSTE N'ÉMET PAS OU VOTRE ÉMISSION EST DE MAUVAISE QUALITÉ

#### Vérifiez que :

- L'antenne soit correctement branchée et que le TOS soit bien réglé.
- Le microphone soit bien branché.
- La puissance du **RF POWER** soit au maximum (voir § **RF POWER** page 32).
- La valeur du **MIC GAIN** soit au maximum (voir § **MIC GAIN** page 32).

### 2) VOTRE POSTE NE REÇOIT PAS OU VOTRE RÉCEPTION EST DE MAUVAISE QUALITÉ

#### Vérifiez que :

- Le niveau du squech soit correctement réglé.
- Le bouton Volume (1) soit réglé à un niveau convenable.
- L'antenne soit correctement branchée et le TOS bien réglé.
- La valeur du **RF GAIN** soit au maximum (voir § **RF GAIN** page 32).

### 3) VOTRE POSTE NE S'ALLUME PAS

#### Vérifiez :

- Votre alimentation.
- Qu'il n'y ait pas d'inversion des fils au niveau de votre branchement.
- L'état du fusible.

## G) COMMENT ÉMETTRE OU RECEVOIR UN MESSAGE

Maintenant que vous avez lu la notice, assurez-vous que votre poste est en situation de fonctionner (antenne branchée).

Vous pouvez alors appuyer sur la pédale de votre micro, et lancer le message «Attention stations pour un essai TX» ce qui vous permet de vérifier la clarté et la puissance de votre signal et devra entraîner une réponse du type «Fort et clair la station».

Relâchez la pédale, et attendez une réponse. Dans le cas où vous utilisez un canal d'appel (19), et que la communication est établie avec votre interlocuteur, il est d'usage de choisir un autre canal disponible afin de ne pas encombrer le canal d'appel.

## H) GLOSSAIRE

### ALPHABET PHONÉTIQUE INTERNATIONAL

<b>A</b> Alpha	<b>H</b> Hotel	<b>O</b> Oscar	<b>V</b> Victor
<b>B</b> Bravo	<b>I</b> India	<b>P</b> Papa	<b>W</b> Whiskey
<b>C</b> Charlie	<b>J</b> Juliett	<b>Q</b> Quebec	<b>X</b> X-ray
<b>D</b> Delta	<b>K</b> Kilo	<b>R</b> Romeo	<b>Y</b> Yankee
<b>E</b> Echo	<b>L</b> Lima	<b>S</b> Sierra	<b>Z</b> Zulu
<b>F</b> Foxtrott	<b>M</b> Mike	<b>T</b> Tango	
<b>G</b> Golf	<b>N</b> November	<b>U</b> Uniform	

### LANGAGE TECHNIQUE

AM	: Amplitude Modulation (modulation d'amplitude)
BLU	: Bande latérale unique
BF	: Basse fréquence
CB	: Citizen Band (canaux banalisés)
CH	: Channel (canal)
CQ	: Appel général
CW	: Continuous waves (morse)
DX	: Liaison longue distance
DW	: Dual watch (double veille)
FM	: Frequency modulation (modulation de fréquence)
GMT	: Greenwich Meantime (heure méridien Greenwich)
GP	: Ground plane (antenne verticale)
HF	: High Frequency (haute fréquence)
LSB	: Low Side Band (bande latérale inférieure)
RX	: Receiver (récepteur)
SSB	: Single Side Band (Bande latérale unique)
SWR	: Standing Waves Ratio
SWL	: Short waves listening (écoute en ondes courtes)
SW	: Short waves (ondes courtes)
TOS	: Taux d'ondes stationnaires
TX	: Transceiver. Désigne un poste émetteur-récepteur CB. Indique aussi l'émission.
UHF	: Ultra-haute fréquence
USB	: Up Side Band (bande latérale supérieure)
VHF	: Very high Frequency (très haute fréquence)

### LANGAGE CB

ALPHA LIMA	: Amplificateur linéaire
BAC	: Poste CB
BASE	: Station de base

BREAK	: Demande de s'intercaler, s'interrompre
CANNE À PÊCHE	: antenne
CHEERIO BY	: Au revoir
CITY NUMBER	: Code postal
COPIER	: Écouter, capter, recevoir
FIXE MOBILE	: Station mobile arrêtée
FB	: Fine business (bon, excellent)
INFERIEURS	: Canaux en-dessous des 40 canaux autorisés (interdits en France)
MAYDAY	: Appel de détresse
MIKE	: Microphone
MOBILE	: Station mobile
NÉGATIF	: Non
OM	: Opérateur radio
SUCETTE	: Microphone
SUPÉRIEURS	: Canaux au-dessus des 40 canaux autorisés (interdits en France)
TANTE VICTORINE	: Télévision
TONTON	: Amplificateur de puissance
TPH	: Téléphone
TVI	: Interférences TV
VISU	: Se voir
VX	: Vieux copains
WHISKY	: Watts
WX	: Le temps
XYL	: L'épouse de l'opérateur
YL	: Opératrice radio
51	: Poignée de mains
73	: Amitiés
88	: Grosses bises
99	: Dégager la fréquence
144	: Polarisation horizontale, aller se coucher
318	: Pipi
600 ohms	: le téléphone
813	: Gastro liquide (apéritif)

### CODE «Q»

QRA	: Emplacement de la station
QRA Familial	: Domicile de la station
QRA PRO	: Lieu de travail
QRB	: Distance entre 2 stations

QRD	: Direction
QRE	: Heure d'arrivée prévue
QRG	: Fréquence
QRH	: Fréquence instable
QRI	: Tonalité d'émission
QRJ	: Me recevez-vous bien ?
QRK	: Force des signaux (R1 à R5)
QRL	: Je suis occupé
QRM	: Parasites, brouillage
QRM DX	: Parasites lointains
QRM 22	: Police
QRN	: Brouillage atmosphérique (orages)
QRO	: Fort, très bien, sympa
QRP	: Faible, petit
QRPP	: Petit garçon
QRPPette	: Petite fille
QRQ	: Transmettez plus vite
QRR	: Nom de la station
QRRR	: Appel de détresse
QRS	: Transmettez plus lentement
QRT	: Cessez les émissions
QRU	: Plus rien à dire
QRV	: Je suis prêt
QRW	: Avisez que j'appelle
QRX	: Restez en écoute un instant
QRZ	: Indicatif de la station : par qui suis-je appelé?
QSA	: Force de signal (S1 à S9)
QSB	: Fading, variation
QSQ	: Prix, argent, valeur
QSK	: Dois-je continuer la transmission ?
QSL	: Carte de confirmation de contact
QSO	: Contact radio
QSP	: Transmettre à...
QSS	: Voulez-vous écouter sur...
QSY	: Dégagement de fréquence
QTH	: Position de station
QTR	: Heure locale

### CANAUX D'APPEL

27 AM	: appel général en zone urbaine
19 AM	: Routiers
9 AM	: Appel d'urgence



## CONDITIONS GÉNÉRALES DE GARANTIE

Cet appareil est garanti **2 ans** pièces et main d'œuvre dans son pays d'achat contre tout défaut de fabrication validé par notre service technique. Le service après-vente PRESIDENT se réserve le droit de ne pas appliquer la garantie en cas de panne causée par une antenne autre que celles distribuées par PRESIDENT. Une extension de garantie de **3 ans** est proposée systématiquement pour l'achat simultané d'un appareil et d'une antenne PRESIDENT, portant la durée totale de la garantie à **5 ans**. Pour être valide, l'enregistrement de la garantie doit être complété et soumis dans les 30 jours suivant la date d'achat à PRESIDENT ELECTRONICS en ligne sur **[www.president-electronics.us/warranty-registration](http://www.president-electronics.us/warranty-registration)**. Vous pouvez également accéder à cette page d'enregistrement de garantie en utilisant votre smartphone pour lire (l'application doit être disponible) le code QR sur la carte de garantie jointe. Vous recevrez un email de confirmation si l'inscription est complétée avec succès. Veuillez conserver une copie de cet e-mail pour vos dossiers.

Toute réparation sous garantie sera gratuite et les frais de retour seront à la charge de PRESIDENT. Une preuve d'achat doit être jointe à l'appareil à réparer. Les dates indiquées sur le bon de garantie et la preuve d'achat doivent correspondre. Dans le cas où l'appareil n'est pas sous garantie, la réparation et le retour de l'appareil seront facturés.

Aucune pièce détachée ne sera envoyée ni échangée par PRESIDENT au titre de la garantie. Ne procédez pas à l'installation de l'appareil sans avoir lu ce manuel d'utilisation.

La garantie est uniquement valable dans le pays d'achat.

### Exclusions (non couvertes par la garantie):

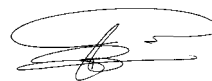
- Les dommages causés par un accident, un choc ou un emballage inadéquat.
- Transistors de puissance, microphones, lampes, fusibles et le non-respect des caractéristiques de montage et d'utilisation (antenne mal réglée (TOS), des transistors de puissance de sortie finale, inversion de polarité, mauvaises connexions, surtension ...).
- La garantie ne peut pas être prorogée en raison d'une immobilisation de l'appareil pendant par le service après-vente de PRESIDENT, ni par le remplacement d'un ou de plusieurs composants ou pièces de détachées.
- Des appareils ayant subi des modifications visant à transformer les caractéristiques d'agrément, les réparations effectuées par des tiers non agréés par PRESIDENT ELECTRONICS.

### Si vous notez un dysfonctionnement:

- Vérifiez l'alimentation électrique de votre appareil et la qualité du fusible.
- Vérifiez que l'antenne et le microphone sont correctement connectés.
- Assurez-vous que le niveau du squelch soit correctement réglé, que la configuration programmée soit la bonne.
- En cas de dysfonctionnement réel, veuillez d'abord contacter votre revendeur qui décidera de la conduite à tenir.

En cas d'intervention non couverte par la garantie, un devis sera établi avant toute réparation.

Merci de votre confiance dans la qualité et l'expérience de PRESIDENT. Nous vous recommandons de lire attentivement ce manuel afin que vous soyez entièrement satisfait de votre achat.



Directeur technique  
et  
Service qualité





**WARNING:** This product can expose you to chemicals including Lead, which is known to the State of California to cause cancer and birth defects or other reproductive harm. For more information go to [www.P65Warnings.ca.gov](http://www.P65Warnings.ca.gov).

**AVERTISSEMENT :** Ce produit peut vous exposer à des agents chimiques, y compris le plomb, identifiés par l'État de Californie comme pouvant causer le cancer et des malformations congénitales ou autres effets nocifs sur la reproduction. Pour de plus amples informations, prière de consulter le site [www.P65Warnings.ca.gov](http://www.P65Warnings.ca.gov).

## **AVISO!**

*Antes de utilizar o seu aparelho, tenha o cuidado de nunca transmitir sem primeiro ter ligado a antena (ligação **B** situada no painel traseiro do equipamento) ou sem ter afinado as ondas estacionárias (ROE). Se não tiver feito estas operações, o resultado pode ser a avaria do amplificador de potência (chamado andar final) que não está coberto pela garantia.*

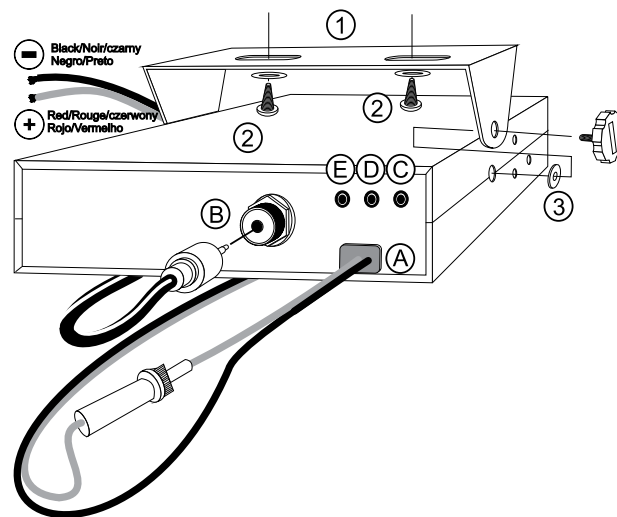
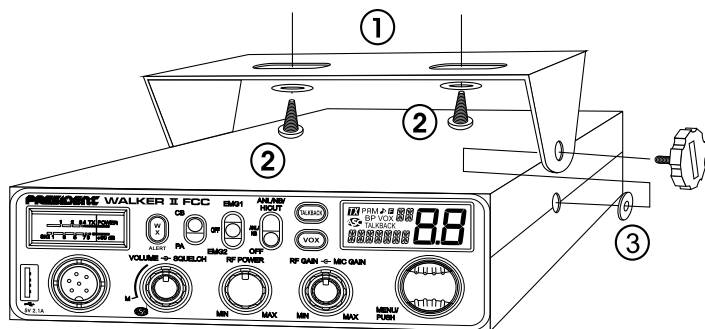
***A garantia deste artigo só é válida no país de compra.***

Bem-vindo ao mundo da geração de transceptores CB. Esta nova gama de estações dá-lhe acesso à comunicação eletrônica mais competitiva. Usando tecnologia de ponta para garantir a qualidade incomparável, o seu PRESIDENT WALKER II FCC representa um novo marco na facilidade de uso e a solução ideal para o usuário mais exigente dos CB. Para tirar o máximo proveito de todas as suas possibilidades, aconselhamo-lo a ler estas instruções cuidadosamente antes de instalar e utilizar o seu PRESIDENT WALKER II FCC.

## A) INSTALAÇÃO

### 1) ONDE E COMO INSTALAR O SEU RÁDIO CB

- Escolha o local mais apropriado para a utilização prática e simples da estação móvel.
- Tente não perturbar o motorista ou passageiros do veículo.
- Forneça a passagem e proteção dos diferentes fios (alimentação, antena, acessórios) para que de nenhuma forma interfiram com o funcionamento do veículo.
- Use para a montagem o suporte (1) fornecido com o dispositivo, fixe-o solidamente com a ajuda dos parafusos auto perfurantes (2) (diâmetro do furo 3,2 mm / 1,126"). Tenha cuidado para não danificar o sistema elétrico do veículo no momento de fazer os furos.
- No momento da instalação, não se esqueça de inserir as anilhas de borracha (3) entre a estação e o seu suporte. Elas têm, com efeito, um papel de "amortecedor" e permitem orientação e pressão suaves da estação.
- Escolha um local para apoio ao micro e forneça a passagem do cabo.



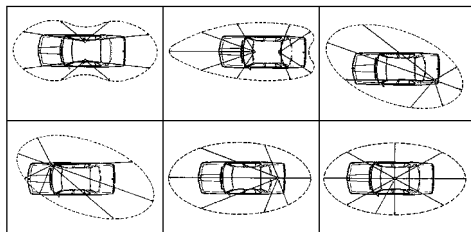
- NOTA:** A estação móvel possui um soquete de microfone na parte da frente que pode ser embutido no painel. Nesse caso, é recomendável adicionar um alto-falante externo para uma melhor qualidade de som das comunicações (conector EXT.SP. na parte de trás da unidade: C). Pergunte ao seu fornecedor mais próximas informações para montar o seu equipamento de CB.

### 2) INSTALAÇÃO DA ANTENA

#### a) Escolha da antena

- Para os equipamentos de CB, quanto maior seja a antena melhores são os resultados obtidos. O seu fornecedor deve estar habilitado a ajudá-lo na sua escolha.
- Antenas Móveis**
  - Deve ser fixada ao veículo num local onde há um máximo de superfície metálica (plano de terra) distanciando-se dos pilares do para-brisas e do vidro traseiro.
  - Se uma antena de rádio está instalada, a antena CB deve estar acima desta.

- Existem dois tipos de antenas: as pré-ajustadas e as ajustáveis.
- As pré-ajustadas são usadas de preferência com um bom plano de terra (no teto ou no porta-malas do carro).
- As ajustáveis oferecem um campo de utilização muito mais amplo e permitem tirar proveito de planos de massa menores (ver § 5 **AJUSTE ROE** página 18).
- Para um furo de fixação da antena, você precisa ter um excelente contato entre a antena e o plano de terra – para isso, raspe levemente a superfície ao nível do parafuso e da anilha de pressão.
- No momento da passagem do cabo coaxial, tenha cuidado para não prender ou esmagar (risco de quebra ou curto-circuito).
- Ligue a antena (**B**).



#### LÓBULO DE RADIAÇÃO

#### c) Antenas Fixas

- Uma antena fixa deve ser instalada num espaço o mais livre possível. Se for fixa num mastro, talvez seja preciso fixá-la de acordo com a legislação em vigor (consulte com o seu distribuidor). As antenas e os acessórios PRESIDENT foram desenvolvidos para oferecer o máximo rendimento.

### 3) CONEXÃO DE ALIMENTAÇÃO

O seu PRESIDENT WALKER II FCC, está protegido contra inversões de polaridade. Contudo, antes de ligá-lo, tome atenção e verifique se todas as ligações foram realizadas.

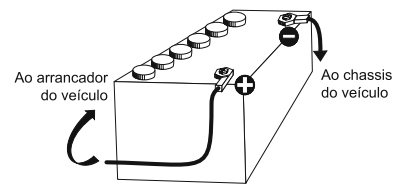
O vosso equipamento deve ser alimentado por uma fonte de corrente contínua de 12 Volts (**A**). Atualmente, a maior parte dos automóveis e camiões funcionam com uma ligação negativa à massa. Podem assegurar-se, verificando que o terminal (-) da bateria esteja bem ligado ao bloco do motor ou ao chassis. No caso contrário, consultar o vosso revendedor.

**Aviso:** Os camiões normalmente têm duas baterias e uma instalação elétrica de 24 Volts. Neste caso é necessário instalar um conversor de 24/12 Volts no circuito elétrico (Tipo PRESIDENT CV 24/12).

Todas as operações seguintes devem ser feitas sem ligar o cabo de alimentação ao aparelho:

- Verifique se a bateria é de 12 Volts.
- Localize os terminais positivo e negativo da bateria (+ é vermelho e - é preto). Deverá ser necessário aumentar o cabo de alimentação, deve para isso utilizar cabo de diâmetro igual ou superior ao do seu cabo de alimentação fornecido.
- Aconselhamos a ligar o seu cabo de alimentação diretamente à bateria.
- Ligue o fio vermelho (+) ao terminal positivo da bateria e o fio preto (-) ao terminal negativo da bateria.
- Ligue o cabo de alimentação ao seu rádio CB.

**Aviso:** Nunca reponha o fusível original por outro de valor diferente!



### 4) OPERAÇÕES BÁSICAS PARA EXECUTAR ANTES DO PRIMEIRO USO SEM PASSAR POR EMISSÕES (sem pressionar o botão de emissão (PTT) do micro)

- Ligue o micro.
- Verifique a ligação da antena.
- Inicie o aparelho: rode o botão de volume **VOLUME (1)** no sentido dos ponteiros do relógio.
- Rode o botão silenciador **SQUELCH (2)** para o mínimo (posição **M**).
- Ajuste o botão de volume (1) a um nível adequado.
- Dirija a estação ao canal 20 usando o botão rotativo **PUSH (6)** ou as teclas **UP/DN (18)** do microfone.

### 5) AJUSTE ROE (Relação das Ondas Estacionárias)

**ATENÇÃO:** A operação deve ser realizada no momento da primeira utilização do dispositivo ou de uma mudança de antena. Isto deve ser feito numa área aberta ao ar livre.

#### \* Ajuste com o medidor TOS embuído

**NOVO, FÁCIL E MUITO ÚTIL** - Configurando os TOS pelo som do bipe

Ver o menu **AJUSTE DE LA ROE** página 50.

#### \* Ajustes com o medidor de SWR externo (tipo TOS-1 PRESIDENT)

##### a) Ligação do medidor de SWR

- Ligue o medidor de ROE entre a estação e a antena o mais próximo possível da estação (usar um cabo de 40 cm (15,75") máximo tipo CA- 2C PRESIDENT).

## b) Ajuste da ROE:

- Posicione a estação para o canal 20.
- Coloque o interruptor do medidor SWR na posição **FWD** (calibração).
- Pressione o botão de emissão do microfone para transmitir.
- Direcione a agulha para o índice ▼ usando o botão de calibração.
- Ponha o interruptor na posição **REF** (leitura da ROE). O valor lido do indicador deve ser muito próximo de 1. Caso contrário, reconfigure a antena para obter um valor tão próximo quanto possível de 1 (o valor SWR pode ser aceitável entre 1 e 1,8).
- É necessário calibrar o medidor de ROE entre cada operação de ajuste da antena.

**Nota:** A fim de evitar perdas e atenuação nos cabos de ligação entre o rádio e os acessórios, PRESIDENT recomenda um comprimento inferior de cabo a 3 metros (118,11 ").

Agora, a estação está pronta para funcionar.

## B) UTILIZAÇÃO

### 1) INTERRUPTOR ON/OFF - VOLUMEM

Para **ligar** o aparelho: gire o botão **VOLUME** (1) no sentido horário. Se a função **KEY BEEP** estiver ativa (consulte o menu **BIPE DE TECLADO**, página 49), será emitido um sinal sonoro. Seu rádio está ligado. O LCD mostra brevemente o tipo de microfone. Ver o menu **TIPO DE MICROFONE** na página 24.

Para **desligar** o aparelho: Gire o botão **VOLUME** (1) no sentido anti-horário até ouvir um clique. Seu rádio está desligado.

Para ajustar o volumem, gire o botão **VOLUME** (1) no sentido horário. Para diminuir o volumem, gire o botão no sentido anti-horário.

### 2) ASC (controle de Squelch automático) ~ SQUELCH

**Suprime** ruídos indesejáveis quando não há comunicação. O squelch não afeta o som nem a potência de transmissão, mas permite uma melhoria considerável do conforto auditivo.

#### a) ASC: CONTROLE SQUELCH AUTOMÁTICO

**Patente em todo o mundo, uma exclusividade PRESIDENT.**

Rode o botão **SQUELCH** (2) anti-horário para a posição **ASC**. **ASC** aparece no LCD. Sem repetir o ajuste manual, há uma melhoria permanente entre a sensibilidade e o conforto de audição quando **ASC** está ativo. Esta função pode ser desligada, rodando o botão no sentido horário. Neste caso, o ajuste do squelch torna-se de novo manual. **ASC** desaparece do LCD.

## b) SQUELCH MANUAL

Rode o botão **SQUELCH** (2) no sentido horário até ao ponto exato em que todo o ruído de fundo desaparece. Este ajuste deve ser feito com precisão pois se fosse definido como máximo (totalmente no sentido horário), apenas os sinais mais fortes serão recebidos.

### 3) RF POWER

No modo **TX**, gire o botão **RF POWER** (3) para **ajustar** a potência de saída; no sentido horário para aumentar a potência, no sentido anti-horário para diminuir a potência.

### 4) MIC GAIN

**Ajuste** o nível de sensibilidade do microfone.

*A posição normal desta função está no máximo no sentido horário.*

### 5) RF GAIN

Define a sensibilidade da recepção. Posição máxima no caso de recepção de chamadas de longa distância. Você pode diminuir o **RF GAIN**, para evitar distorções, quando o interlocutor estiver próximo. Reduza o ganho de recepção no caso de uma comunicação próxima com um correspondente não equipado com um **RF POWER**.

*A posição normal desta função está no máximo no sentido horário.*

### 6) BOTÃO ROTATIVO "PUSH"

No modo normal, rode o botão rotativo **PUSH** (6) para **cambiar** de canal. No sentido horário para aumentar de um canal, para a esquerda para diminuir de um canal.

No modo **MENU**, (uma pressão larga de 3 segundos no botão **PUSH** (6) permite ativar este modo). Ver § **MENUS** página 48.

1. Rode o botão rotativo **PUSH** (6) para **selecionar** a função
2. Aperte brevemente o botão **PUSH** (6) para **selecionar** o parâmetro da função escolhida. O parâmetro pisca no LCD.
3. Rode o botão rotativo **PUSH** (6) ou utilize as teclas **UP/DN** do microfone (18) para **modificar** o valor do parâmetro.
4. Uma nova pressão no botão **PUSH** (6) permite **validar** o valor escolhido. O parâmetro para de piscar e, se a função possui mais de um só parâmetro, o parâmetro seguinte pisca no LCD.

Ver o § **TECLAS UP/DN DO MICROFONE** página 48.

## 7) LCD



	Indica a emissão
	Modo PA (Public Address) ativado
	Modulação em AM
	Função ROGER BEEP ativada
	Função BIPE DO TECLADO ativada
	Automatic Squelch Control ativado
	Função VOX ativada
	Função SCAN ativada (o ponto pisca)
	Função TALKBACK ativada
	Modo MENU ativado
	Indica o canal selecionado (grandes dígitos)
	Modo CANAIS METEOROLÓGICOS ativado
	Função ALERTA ativada
	Indica a frequência ou o menu

## 8) VOX ~ AJUSTE DO VOX

### VOX (pressão breve)

A função **VOX** permite *transmitir* falando no microfone original (ou no microfone vox opcional) sem pressionar a alavanca **PIT (17)**. O uso de um microfone vox opcional conectado à parte traseira do aparelho - o conector **VOX (E)** - *desativa* o microfone original. Pressione a tecla **VOX (8)** brevemente para *ativar* a função **VOX**. “**VOX**” aparece no LCD. Pressione novamente a tecla **VOX (8)** para *desativar* a função **VOX**. “**VOX**” desaparece do LCD.

## AJUSTE DO VOX (pressão larga)

Pressione a tecla **VOX (8)** por 2 segundos para entrar no modo de **Ajuste do VOX**.

Três ajustes para o **VOX**. **Sensibilidade**: SET L, **Anti-Vox**: SET R e **Atraso**: SET T (loop nesta ordem).

1. Para modificar um ajuste diferente do exibido, pressione rapidamente o botão **VOX (8)** para *selecionar* o próximo ajuste ou ...
  2. Gire o botão rotativo **PUSH (6)** ou pressione as teclas **UP/DN (18)** no microfone para *alterar* o valor do ajuste.
  3. Pressione o botão **VOX (8)** brevemente novamente para memorizar este valor e passar para ao próximo ajuste...
  4. Depois de ter ajustado o **VOX**, pressione a alavanca de transmissão **PIT (17)** para sair do modo de **Ajuste de VOX**. Se nenhum ajuste for feito por 5 segundos, a unidade sai automaticamente da função.
- **Sensibilidade** “SET L”: Ajusta a sensibilidade do microfone (original ou opcional vox) para uma ótima qualidade de transmissão. Nível ajustável de 1 (nível alto) a 9 (nível baixo). Valor padrão: 5.
  - **Anti-Vox** “SET R”: evita as emissões geradas pelo ruído ambiente. Nível ajustável: (emete em função do nível do squelch) e de (sim anti-vox) a 9 (nível baixo). Valor padrão: 9.
  - **Atraso** “SET T”: para evitar a interrupção “brutal” da transmissão, adicionando um atraso no final do discurso. Nível ajustável de 1 (atraso curto) a 9 (atraso longo). Valor padrão: 1.
- O ajuste de VOX não ativa automaticamente a função VOX.*

## 9) TALKBACK

Esta função permite ouvir a sua própria modulação no alto-falante interno ou externo opcional ligado à tomada EXT.SP. (C).

Pressione o botão **TALKBACK (9)** para *ativar/desativar* a função **TALKBACK**. Quando a função está ativa, “**TALKBACK**” pisca no visor por 3 segundos, exibindo o nível atual do **TALKBACK** e depois permanece exibido. Ver o § **NÍVEL DO TALKBACK** página 51.

## 10) FILTROS ANL/NB ~ HI-CUT

Comutador de 3 posições: **posição baixa**: nenhum filtro é ativado. **Posição central**: somente os filtros **ANL** e **NB** estão ativados. **Posição alta**: todos os filtros (**ANL**, **NB** e **HI-CUT**) são ativados.

**NB**: Noise Blanker/ **ANL**: Automatic Noise Limiter. Estes filtros *permitem* a redução de ruídos e algumas interferências de recepção.

**HI-CUT:** *Corta* as interferências de alta frequência e tem de ser utilizado de acordo com as condições de recepção.

## 11) CANAIS DE EMERGÊNCIA

Os canais de emergência serão *selecionados* automaticamente ao mudar esta tecla (11). Comutador de 3 posições: **EMG1** / ativa o canal de emergência 1. **EMG2** / ativa o canal de emergência 2. **OFF** / nenhum canal de emergência é ativado.

Os canais de emergência padrão são o canal **9 (EMG1)** e o canal **19 (EMG2)**.

Ver os menus **AJUSTE DO CANAL DE EMERGÊNCIA 1 e 2** nas páginas 50 e 50 para configurar os canais prioritários.

**Nota:** Ativar um canal de prioridade não permite mais o uso dos modos **PA** ou **WX** ou inicie a função **SCAN**. Se a função **KEY BEEP** estiver ativa, um bipe de erro é emitido. **"EMG"** e o canal piscam no LCD indicando uma manipulação errada. Coloque o comutador (11) na posição **OFF** para usar estas funções.

## 12) CB/PA

Permite *alternar* entre os modos **CB** e **PA** (Public Address).

Um alto-falante externo pode ser conectado ao aparelho através de uma tomada no painel traseiro do PA.SP. (D). Gire o botão **MIC GAIN (4)** para ajustar o volume do **PA**.

Para detalhessobre o funcionamento do modo **PA**, consulte o menu **AJUSTE DO PA** na página 50.

## 13) MODO METEOROLÓGICO ~ ALERTA

### MODO METEOROLÓGICO (WX) (pressão breve)

**Nota:** As funções comuns da **CB** não são permitidas no modo **WX**. Se o usuário pressionar uma tecla não autorizada e a função **KEY BEEP** estiver ativa, um bipe de erro é emitido.

Selecione um canal diferente dos canais de emergência **EMG1** ou **EMG2**. O comutador **CANAIS DE EMERGÊNCIA (11)** deve estar na posição **OFF**. Pressione a tecla **WX (13)** brevemente para *alternar* entre os modos **CB** e **WX**. Quando o modo meteorológico (**WX**) está ativo, **"WX"** aparece no LCD. O modo **WX** permite escutar os boletins meteorológicos. Quando este modo é ativo, gire o botão rotativo **PUSH (6)** ou use as teclas **UP/DN (18)** do microfone para procurar, entre os 7 canais meteorológicos,

o canal correspondente à sua localização (Ver **TABELA DE FREQUÊNCIAS METEOROLÓGICAS** página 55).

O LCD mostra o canal selecionado.

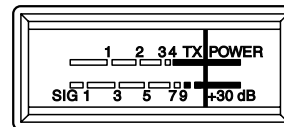
### ALERTA (pressão longa)

**Nota:** A sirene de alerta se emite somente nos modos **PA** ou **CB**. Não funciona no modo **WX**.

Pressione longamente a tecla **ALERT (13)** para *ativar/desativar* a função **ALERT**. Quando a função está ativa, o último dígito das frequências se transforma num **A** (A). Se a função **ALERT** está ativada e se detecta um sinal no canal meteorológico ativo, o aparelho emite uma "SIRENE" de alerta. A unidade sai dos modos **CB** ou **PA** e passa automaticamente ao modo **WX**.

Durante a sirene de alerta, pressione a alavanca **PTT (17)** para parar a sirene.

## 14) BARGRAPH



Visualiza o nível de recepção e o nível da potência emitida.

## 15) TOMADA MICROFONE 6 PINOS

Está localizada na frente do seu aparelho facilitando assim a integração no painel do seu veículo.

Ver o diagrama de fiação na página 56.

## 16) TOMADA DE CARGA USB

A tomada **USB (16)** pode carregar um smartphone, tablet ou outro dispositivo recarregável 5 V - 2.1 A.

## 17) ALAVANCA DE EMISSÃO PTT (Push To Talk)

Botão de emissão, pressione para falar. **PTT** aparece no LCD. Solte para receber uma mensagem. **PTT** desaparece do LCD.

## TOT (Time Out Timer)

Se a tecla **PIT (17)** for pressionada por mais de 5 minutos, o LCD piscará e a transmissão será finalizada. Um bipe soa até que a tecla **PIT (17)** seja liberada.

## 18) TECLAS UP/DN DO MICROFONE ~ SCAN

### TECLAS UP/DN DO MICROFONE (pressão breve)

Em operação normal, use as teclas **UP** ou **DN (18)** para *modificar* os canais. **UP** para aumentar e **DN** para diminuir de um canal.

No modo **MENUS** (uma pressão longa de 3 segundos no botão rotativo **PUSH (6)** ativa este modo (consulte § **MENUS** página 48)), as teclas **UP** ou **DN (18)** são usadas para selecionar o menu a ser configurado.

Ver o § **BOTÃO ROTATIVO "PUSH"** na página 45.

### SCAN (BUSCA DE CANAIS) (pressão longa)

Pressione e segure uma das teclas **UP** ou **DN** do microfone (**18**) para ativar a função **SCAN**. O ponto entre os dois dígitos do canal pisca para indicar que a função está ativa.

O scan pára assim que um canal está ativo. O scan inicia-se automaticamente 3 segundos após o final da emissão, se nenhuma tecla for pressionada durante esse tempo. No modo de **SCANNING**, gire o botão rotativo **PUSH (6)** ou pressione os botões **UP/DN (18)** no microfone para alterar a direção do scan dos canais.

### Scan dos canais CB

No modo **CB**, pressione e segure uma das teclas **UP** ou **DN** do microfone (**18**) por ± 7 segundos ou até que um bipe soe para ativar a função **SCAN dos canais CB**.

Pressione a alavanca **PIT (17)** para sair da função **SCAN dos canais CB**. O ponto entre os dois dígitos do canal desaparece do LCD.

### Scan dos Canais Meteorológicos

No modo **WX**, pressione e segure uma das teclas **UP** ou **DN** do microfone (**18**) por ± 3 segundos ou até que um bipe soe para ativar a função **SCAN dos canais Meteorológicos**.

Pressione a tecla **TALKBACK (9)** por 3 segundos para sair da função **SCAN dos canais Meteorológicos**. O ponto entre os dois dígitos do canal desaparece do visor.

**Nota:** O scan dos canais meteorológicos pode ser executada em segundo plano durante o uso do modo **CB**.

## A) ALIMENTAÇÃO (13,8 V)

## B) CONECTOR DE ANTENA (SO-239)

## C) JACK PARA ALTO-FALANTE EXTERNO (8 Ω , Ø 3,5 mm)


## D) JACK PARA OPCIONAL PA (Public Address) (8 Ω , Ø 3,5 m)


## E) JACK PARA MICROFONE VOX OPCIONAL (8 Ω , Ø 2,5 m)

## C) MENUS

A ordem dos 11 menus é tal que descrito neste manual. Porém, a função exibida ao entrar nos menus será a última função modificada pelo usuário. Qualquer que seja a função, o procedimento é sempre idêntico.

Aperte durante 3 segundos o botão **PUSH (6)** para *entrar* nos **MENUS**.  aparece no LCD.

1. Gire o botão rotativo **PUSH (6)** ou utilize as teclas **UP/DN (18)** do microfone para *selecionar* o menu.
2. Aperte o botão **PUSH (6)** para *validar*. O parâmetro da função escolhida pisca no LCD.
3. Gire o botão rotativo **PUSH (6)** ou utilize as teclas **UP/DN (18)** do microfone para *modificar* o valor do parâmetro.
4. Uma nova pressão no botão **PUSH (6)** permite *validar* o valor escolhido. O parâmetro pára de piscar e se a função possui más de um só parâmetro, o parâmetro seguinte pisca no LCD.
5. Se nenhuma tecla for pressionada, o aparelho sai dos **MENUS** depois de 10 segundos.  desaparece do LCD.

**Nota:** As teclas **UP/DN (18)** do microfone têm o mesmo efeito do que a rotação do botão **PUSH (6)**. A alavanca de emissão **PIT (11)** *valida* o último ajuste e *sai* dos menus.  desaparece do LCD.

## 1) COR

Esta função permite *escolher* a cor do display LCD.

Aperte durante 3 segundos o botão **PUSH (6)** para *entrar* nos **MENUS**.  aparece no LCD.

1. Gire o botão rotativo **PUSH (6)** ou utilize as teclas **UP/DN (18)** do microfone para *selecionar* o menu **COLOR**.
2. Aperte o botão **PUSH (6)**. O valor da cor atual pisca no LCD.
3. Gire o botão rotativo **PUSH (6)** ou utilize as teclas **UP/DN (18)** do microfone para *selecionar* a cor desejada. As 7 cores disponíveis aparecem em bucle:

→ vermelho / verde / azul / ciano / amarelo / roxo / azul claro  
rE / Gr / bL / Cy / Ye / PU / CL



- Uma nova pressão no botão **PUSH (6)** permite *validar* o valor escolhido. O parâmetro pára de piscar e se a função possui más de um só parâmetro, o parâmetro seguinte pisca no LCD.
- Se nenhuma tecla for pressionada, o aparelho sai dos **MENUS** depois de 10 segundos. **[F]** desaparece do LCD.

## 2) BIPE DE TECLADO

Quando a função está ativa, um bipe soa quando uma tecla é pressionada, ao mudar um canal e assim por diante. “**BP**” aparece no LCD.

Aperte durante 3 segundos o botão **PUSH (6)** para *entrar* nos **MENUS**. **[F]** aparece no LCD.

- Gire o botão rotativo **PUSH (6)** ou utilize as teclas **UP/DN (18)** do microfone para *selecionar* o menu **KEYBEEP**.
- Aperte o botão **PUSH (6)**. O estado atual pisca no LCD.
- Gire o botão rotativo **PUSH (6)** ou utilize as teclas **UP/DN (18)** do microfone para *ativar [n]/desativar [F]* a função **KEY BEEP**.
- Uma nova pressão no botão **PUSH (6)** permite *validar* a escolha. O parâmetro pára de piscar. **a)** Volte ao ponto 1 para *ajustar* outra função ou **b)** Pressione a alavanca **PTT (17)** para *validar e sair* dos **MENUS**. **[F]** desaparece do LCD.
- Se nenhuma tecla for pressionada, o aparelho sai dos **MENUS** depois de 10 segundos. **[F]** desaparece do LCD.

O valor padrão da função é **[n]** (ativado)

## 3) ROGER BEEP

Quando a função **ROGER BEEP** for ativada, **[B]** aparece no LCD.

O Roger Beep emite um bipe quando a alavanca de emissão **PTT (17)** é solta para deixar a palavra ao chamador. Historicamente, o Radioamador é o modo de comunicação “simplex”, ou seja, não é possível falar e ouvir ao mesmo tempo (como no caso do telefone, por exemplo), era costume de dizer “Roger” quando eles tinham acabado de falar para avisar o interlocutor que poderia falar. A palavra “Roger” foi substituída por um bipe significativo, daí o nome “ Roger Beep”.

Aperte durante 3 segundos o botão **PUSH (6)** para *entrar* nos **MENUS**. **[F]** aparece no LCD.

- Gire o botão rotativo **PUSH (6)** ou utilize as teclas **UP/DN (18)** do microfone para *selecionar* o menu **RG BIP**.
- Aperte o botão **PUSH (6)**. O estado atual pisca no LCD.
- Gire o botão rotativo **PUSH (6)** ou utilize as teclas **UP/DN (18)** do microfone para *ativar [n]/desativar [F]* a função **ROGER BEEP**.
- Uma nova pressão no botão **PUSH (6)** permite *validar* a escolha. O parâmetro pára de piscar. **a)** Volte ao ponto 1 para *ajustar* outra função ou **b)**

Pressione a alavanca **PTT (17)** para *validar e sair* dos **MENUS**. **[F]** desaparece do LCD.

- Se nenhuma tecla for pressionada, o aparelho sai dos **MENUS** depois de 10 segundos. **[F]** desaparece do LCD.

O valor padrão da função é **[F]** (desativado)

## 4) AJUSTE DA TONALIDADE

A função **TONE** é usada para alterar a tonalidade na recepção. 11 níveis de -5 a +5.

Aperte durante 3 segundos o botão **PUSH (6)** para *entrar* nos **MENUS**. **[F]** aparece no LCD.

- Gire o botão rotativo **PUSH (6)** ou utilize as teclas **UP/DN (18)** do microfone para *selecionar* o menu **TONE**.
- Aperte o botão **PUSH (6)**. O valor do nível atual pisca no LCD.
- Gire o botão rotativo **PUSH (6)** ou utilize as teclas **UP/DN (18)** do microfone para *ajustar* o nível da tonalidade desejado.
- Uma nova pressão no botão **PUSH (6)** permite *validar* a escolha. O parâmetro pára de piscar. **a)** Volte ao ponto 1 para *ajustar* outra função ou **b)** Pressione a alavanca **PTT (17)** para *validar e sair* dos **MENUS**. **[F]** desaparece do LCD.
- Se nenhuma tecla for pressionada, o aparelho sai dos **MENUS** depois de 10 segundos. **[F]** desaparece do LCD.

O valor padrão da função é **[F]**.

## 5) DIMMER

A função **DIMMER** é usada para ajustar o brilho da luz de fundo (de 1 a 9) ou para desativá-la (**[F]**: sem luz de fundo).

Aperte durante 3 segundos o botão **PUSH (6)** para *entrar* nos **MENUS**. **[F]** aparece no LCD.

- Gire o botão rotativo **PUSH (6)** ou utilize as teclas **UP/DN (18)** do microfone para *selecionar* o menu **DIMMER**.
- Aperte o botão **PUSH (6)**. O valor do nível atual pisca no LCD.
- Gire o botão rotativo **PUSH (6)** ou utilize as teclas **UP/DN (18)** do microfone para *ajustar* o nível da luz de fundo desejado.
- Uma nova pressão no botão **PUSH (6)** permite *validar* a escolha. O parâmetro pára de piscar. **a)** Volte ao ponto 1 para *ajustar* outra função ou **b)** Pressione a alavanca **PTT (17)** para *validar e sair* dos **MENUS**. **[F]** desaparece do LCD.
- Se nenhuma tecla for pressionada, o aparelho sai dos **MENUS** depois de 10 segundos. **[F]** desaparece do LCD.

O valor padrão da função é **[9]**.

## 6) AJUSTE DO CANAL DE EMERGÊNCIA 1

Permite definir o canal de emergência 1.

Aperte durante 3 segundos o botão **PUSH (6)** para *entrar* nos **MENUS**. **[F]** aparece no LCD.

1. Gire o botão rotativo **PUSH (6)** ou utilize as teclas **UP/DN (18)** do microfone para *selecionar* o menu **EMG 1**.
2. Aperte o botão **PUSH (6)**. O **canal** pisca no LCD.
3. Gire o botão rotativo **PUSH (6)** ou utilize as teclas **UP/DN (18)** do microfone para *selecionar* o canal desejado.
4. Uma nova pressão no botão **PUSH (6)** permite *validar* a escolha. O canal pára de piscar. **a)** Volte ao ponto **1** para *ajustar* outra função ou **b)** Pressione a alavanca **PTT (17)** para *validar e sair* dos **MENUS**. **[F]** desaparece do LCD.
5. Se nenhuma tecla for pressionada, o aparelho sai dos **MENUS** depois de 10 segundos. **[F]** desaparece do LCD.

O valor padrão canal de emergência 1 é o canal **9**.

## 7) AJUSTE DO CANAL DE EMERGÊNCIA 2

Permite definir o canal de emergência 2.

Aperte durante 3 segundos o botão **PUSH (6)** para *entrar* nos **MENUS**. **[F]** aparece no LCD.

1. Gire o botão rotativo **PUSH (6)** ou utilize as teclas **UP/DN (18)** do microfone para *selecionar* o menu **EMG 2**.  
Os pontos **2 a 5** são idênticos aos do menu **AJUSTE DO CANAL DE EMERGÊNCIA 1**.

O valor padrão canal de emergência 2 é o canal **[9]**.

## 8) AJUSTE DE LA ROE (Relação das Ondas Estacionárias)

Esta função permite ajustar la ROE usando bipes sonoros.

Aperte durante 3 segundos o botão **PUSH (6)** para *entrar* nos **MENUS**. **[F]** aparece no LCD.

1. Gire o botão rotativo **PUSH (6)** ou use os botões **UP/DN (18)** no microfone para selecionar a função **SWR**.
2. Pressione o botão **PUSH (6)**. O aparelho muda automaticamente para o modo **TX** sem pressionar a alavanca **PTT (17)** e a calibração começa. O tempo de calibração é de 5 minutos no máximo. Uma contagem regressiva é feita no LCD.
3. Ajuste a antena.
4. O bipe\* é contínuo quando o valor de la **ROE** é **[1]**. O espaço entre os bipes torna-se maior e maior à medida que o valor de la ROE se afasta de **[1]**.

O LCD mostra o valor de la ROE. Por exemplo **2,5**.

5. Pressione a alavanca **PTT (17)** para sair do modo **MENUS**. **[F]** desaparece do visor.

\*O volume do bipe é ajustável com o botão **VOLUME (1)**. Verifique se o volume está ajustado para um nível adequado.

Ver § **AJUSTE ROE** página 44.

## 9) TIPO DE MICROFONE

O PRESIDENT WALKER II FCC pode ser usado com um microfone de eletreto ou dinâmico PRESIDENTE de 6 pinos (*consulte a fiação do microfone na página 56*). Quando se liga o aparelho, o tipo de microfone atual aparece rapidamente no LCD.

Aperte durante 3 segundos o botão **PUSH (6)** para *entrar* nos **MENUS**. **[F]** aparece no LCD.

1. Gire o botão rotativo **PUSH (6)** ou utilize as teclas **UP/DN (18)** do microfone para *selecionar* o menu **MIC TP**.
2. Aperte o botão **PUSH (6)**. O parâmetro atual pisca no LCD.
3. Gire o botão rotativo **PUSH (6)** ou utilize as teclas **UP/DN (18)** do microfone para *selecionar* o tipo de microfone **EL** (eletreto) ou **DH** (dinâmico).
4. Uma nova pressão no botão **PUSH (6)** permite *validar* a escolha. O parâmetro pára de piscar. **a)** Volte ao ponto **1** para *ajustar* outra função ou **b)** Pressione a alavanca **PTT (17)** para *validar e sair* dos **MENUS**. **[F]** desaparece do LCD.
5. Se nenhuma tecla for pressionada, o aparelho sai dos **MENUS** depois de 10 segundos. **[F]** desaparece do LCD.

O valor padrão da função é **EL** (eletreto).

## 10) AJUSTE DO PA (PUBLIC ADDRESS)

Esta função permite *selecionar* o modo de operação do Public Address PA.

Aperte durante 3 segundos o botão **PUSH (6)** para *entrar* nos **MENUS**. **[F]** aparece no LCD.

1. Gire o botão rotativo **PUSH (6)** ou utilize as teclas **UP/DN (18)** do microfone para *selecionar* o menu **PA SET**.
2. Aperte o botão **PUSH (6)**. O parâmetro atual pisca no LCD.
3. Gire o botão rotativo **PUSH (6)** ou utilize as teclas **UP/DN (18)** do microfone para *escolher* o parâmetro, **IN**, **GF** ou **PR**.
4. Uma nova pressão no botão **PUSH (6)** permite *validar* a escolha. O parâmetro pára de piscar. **a)** Volte ao ponto **1** para *ajustar* outra função ou **b)** Pressione a alavanca **PTT (17)** para *validar e sair* dos **MENUS**. **[F]** desaparece do LCD.
5. Se nenhuma tecla for pressionada, o aparelho sai dos **MENUS** depois de 10 segundos. **[F]** desaparece do LCD.

- **In**: a **modulação do microfone** é transmitida ao alto-falante do Public Address conectado no jack PA.SP. **(D)**. As mensagens recebidas são transmitidas ao alto-falante do aparelho ou o alto-falante externo opcional conectado no jack EXT.SP. **(C)**. "**PA**" pisca alternadamente com o modo de modulação (AM).
- **RF**: a recepção não é mais funcional. Somente a **modulação do microfone** é transmitida ao alto-falante do Public Address conectado no jack PA.SP. **(D)**. **PR** e o volume do **PA** aparece no LCD.
- **PR**: a **modulação do microfone** e as **mensagens recebidas** são transmitidas ao alto-falante do Public Address conectado no jack PA.SP. **(D)**. "**PA**" pisca alternadamente com o modo de modulação (AM).

O botão **MIC GAIN (4)** permite ajustar o nível áudio do modo **PA**.

O tipo padrão é **In**.

Ver o § **CB/PA** página 47.

## 1) REINICIALIZAÇÃO

Reinicialize todas as configurações definidas pelo usuário e retorne aos valores padrão.

Aperte durante 3 segundos o botão **PUSH (6)** para **entrar** nos **MENUS**. **[F]** aparece no LCD.

1. Gire o botão rotativo **PUSH (6)** ou utilize as teclas **UP/DN (18)** do microfone para **selecionar** o menu **RESET**.
2. Aperte o botão **PUSH (6)**. **[FL]** pisca no LCD.
3. Aperte de novo o botão **PUSH (6)** para **reinicializar** os valores padrão. O aparelho **sai** dos **MENUS**. **[F]** desaparece do LCD.
4. Se nenhuma tecla for pressionada, o aparelho sai dos **MENUS** depois de 10 segundos. **[F]** desaparece do LCD.

## D) FUNÇÃO COM A ALAVANCA DE EMISSÃO PTT

### NÍVEL DO TALKBACK

Esta função permite **ajustar** o nível de volume do **TALKBACK**.

1. Ative a função **TALKBACK** (ver § **TALKBACK** na página 46).
2. Pressione a alavanca de emissão **PTT (17)** e gire o botão rotativo **PUSH (6)** para **augmentar** (sentido horário) / **diminuir** (sentido anti-horário) o nível de volume do **TALKBACK**.
3. Solte alavanca de emissão **PTT (17)**.

## E) CARACTERÍSTICAS TÉCNICAS

### 1) GERAL

- Canais	: 40
- Modos de modulação	: AM
- Faixas de frequência	: de 26,965 MHz a 27,405 MHz
- Canais meteorológicos	: 162,400 MHz até 162,550 MHz
- Antena de impedância	: 50 ohms
- Fonte de alimentação	: 13,8 V
- Dimensões	: 170 (L) x 160 (P) x 52 (A) mm
	: 6,692 (L) x 6,299 (P) x 2,047 (A) polegadas
- Peso	: ± 1,1 kg / 2,43 lbs
- Acessórios fornecidos	: Microfone UP / DOWN eletreto, com o apoio, suporte de montagem , parafusos e cabo de alimentação fundida .

### 2) TRANSMISSÃO

- Subsídio de frequência	: +/- 200 Hz
- Potência da portadora	: 4 W
- Interferência Transmissão	: inferior a 4 nW (- 54 dBm)
- Resposta de áudio	: 300 Hz a 3 KHz
- Emissão de poder no canal adjacente	: inferior a 20 µW
- Sensibilidade do microfone	: 3,0 mV
- Drain	: < 2 A máx. (com modulação)
- Modulada distorção do sinal	: 1,8 %

### 3) RECEPÇÃO

- Maxi . sensibilidade em 20 dB SINAD	: 0,5 mV - 113 dBm
- Resposta de frequência	: 300 Hz a 3 kHz
- Seletividade de canal adjacente	: 60 dB
- Potência máxima de áudio	: 3 W
- Sensibilidade do Squelch	: mínimo 0,2 mV - 120 dBm máximo 1 mV - 47 dBm
- Taxa de rejeição de imagem de frequência	: 60 dB
- Rej frequência intermediária	: 70 dB
- Drain	: 180 ~ 500 mA máximo

## F) GUIA DE PROBLEMAS

### 1) O SEU TRANSCÉPTOR NÃO TRANSMITE OU SUA TRANSMISSÃO É DE MÁ QUALIDADE

Verifique que:

- A antena está corretamente ligada e se a ROE está ajustada.
- O microfone está conectado corretamente.
- A potência do **RF POWER** seja máxima (ver § **RF POWER** página 45).
- O valor do **MIC GRAIN** seja máximo (ver § **MIC GAIN** página 45).

### 2) SEU TRANSCÉPTOR NÃO RECEBE OU RECEPÇÃO É FRACA

Verifique que:

- O nível do silenciador é ajustado adequadamente.
- O volume está ajustado para um nível confortável.
- A antena está corretamente ligada e se a ROE está ajustada.
- O valor do **RF GRAIN** seja máximo (ver § **RF GAIN** página 45).

### 3) SEU TRANSCÉPTOR NÃO ACENDE

Verifique a fonte de alimentação.

Verifique a fiação de conexão.

Verifique o fusível.

## G) COMO TRANSMITIR OU RECEBER UMA MENSAGEM

Agora que você já leu as instruções, irá garantir que a sua estação está pronta para uso (antena ligada).

Você pode pressionar o botão de emissão do microfone, e começar a mensagem "atenção emissoras, ensaio de emissora", a mensagem que lhe permite verificar a clareza e a potência do seu sinal e esperar por uma resposta tipo "alta e clara a estação."

Solte a patilha e espere por uma resposta. Se você usar um canal de chamada (19), e a comunicação for estabelecida, deve-se escolher um outro canal disponível para desobstruir o canal de chamada.

## H) GLOSSÁRIO

Ao usar o seu rádio, você vai descobrir uma linguagem particular usado por alguns cebeístas. Para ajudá-lo a entender melhor, nós damos no léxico e o código "Q", um resumo das palavras usadas. No entanto, é evidente que uma linguagem clara e precisa facilitará os contatos entre os radioamadores. Portanto, as palavras listadas abaixo são apenas indicativas, e não devem ser utilizadas formalmente.

## ALFABETO FONÉTICO INTERNACIONAL

<b>A</b> Alpha	<b>H</b> Hotel	<b>O</b> Oscar	<b>V</b> Victor
<b>B</b> Bravo	<b>I</b> India	<b>P</b> Papa	<b>W</b> Whiskey
<b>C</b> Charlie	<b>J</b> Juliett	<b>Q</b> Quebec	<b>X</b> X-ray
<b>D</b> Delta	<b>K</b> Kilo	<b>R</b> Romeo	<b>Y</b> Yankee
<b>E</b> Echo	<b>L</b> Lima	<b>S</b> Sierra	<b>Z</b> Zulu
<b>F</b> Foxtrott	<b>M</b> Mike	<b>T</b> Tango	
<b>G</b> Golf	<b>N</b> November	<b>U</b> Uniform	

## GÍRIAS CEBEÍSTAS

ALPHA LIMA	: Amplificador Linear
LAC	: Posição CB
BASE	: Base Station
BREAK	: Pedido urgente para entrar, interrompendo
CANA DE PESCA	: antena
CHEERIO POR	: Adeus
NÚMERO CIDADE	: Código postal
COPIAR	: Escutar, captar, receber
FIXO MÓVEL	: Estação Móvel preso
FB	: Negócio fino (bom, excelente)
ABAIXO	: Canais 40 canais abaixo do autorizado
MAYDAY	: Chamada de socorro
MIKE	: Micro
MÓVEL	: Estação Móvel
NEGATIVO	: Não
OM	: Operador de rádio
MIC	: Micro
TOP	: Rádios com canais acima dos 40 permitidos
TIA VITÓRIA	: Televisão
PRÉ	: Amplificador de recepção de antena
MACACO PRETO	: Telefone
TVI	: Interferência TV
VISTA	: Vendido
VX	: Velhos amigos
WHISKY	: Watts
WX	: Tempo
XYL	: A esposa do operador
YL	: Operador de rádio
51	: Aperto de mão
73	: Amizades
88	: Amor e beijos
99	: Identificar a frequência
144	: Polarização Horizontal, ir para a cama

318	:	Pipi
600 ohms	:	o telefone
813	:	líquido gástrico (aperitivo)
A. L.	:	Amplificador Linear
Harmónicos	:	Filhos
AVE-MARIA	:	AM Amplitude de modulação
BARBAS	:	canais de interferência próximos
BARRA MÓVEL	:	Estação de movimento
BASE	:	Estação fixa
BIGOTADA	:	reunião de fás
BREAK	:	Pedido de transmissão ou de entrada
BREAKER	:	O que interrompe
CAIXA PARVA	:	TV
CATRACA	:	Amplificador Linear
CORTINA	:	Ouvinte
FEIXE DA ANTENA	:	Comunicação em CB
DOIS METROS HORIZONTAIS	:	A cama
ACENDER FILAMENTOS	:	Ligar o equipamento de rádio CB
ESPIRAS	:	Idade do operador
FOTOCÓPIA	:	o irmão / irmã
FREQÜÊNCIA	:	Mega hertz correspondente ao canal
Q\$J	:	Dinheiro expresso normalmente em mil
LABORO	:	Trabalho, ocupação
TIJOLO	:	Emissora de 27 MHz
LINHA DE BAIXA	:	
FREQÜÊNCIA OU LINHA	:	
DE 500	:	Telefone
MODULAR	:	Falar emitindo
O.K.	:	Conforme, de acordo com
OKAPA	:	Conforme
P.A.	:	Sistema de PA, megafonia
TABLET	:	Microfone
P. O. BOX	:	Caixa postal
PRIMEIRÍSSIMOS	:	Pais
PONTINHO	:	Local
PONTOS VERDES	:	Guarda Civil, QRM 22
RX	:	Receptor
SAXO	:	Marido, Namorada
SECRETÁRIA	:	Amplificador Linear
TRASMATA	:	Ouvinte
TX	:	Transmissor
VERTICAL	:	Encontrar-se pessoalmente
VIA BAIXA	:	Telefone

VITAMINAR-SE	:	alimentar-se, comer
WHISKIES	:	Watts
BOTAS	:	Amplificador Linear
33	:	Saudações amigáveis
55	:	Muito sucesso

## CÓDIGO Q

QRA	:	Nome da estação ou do operador
QRB	:	A distância aproximada em linha reta entre duas estações
QRG	:	Frequência atual
QRI	:	Tonalidade de uma emissão valorizada de 1 a 3
QRK	:	legibilidade, compreensibilidade de um sinal. Em CB, Rádio valorizado de 1 a 5
QRL	:	Estar ocupado, a trabalhar
QRM	:	Interferência, avaliado de 1 a 5
QRO	:	Aumentar a potência do transmissor
QRP	:	reduzir a potência do transmissor
QRT	:	cessar a emissão
QRV	:	Estar preparado, pronto
QRX	:	Cita para transmitir. No CB, " continue a ouvir"
QRY	:	Turno para transmitir
QRZ	:	Nome da estação chamadora. No CB, "Esteja a ouvir"
QSA	:	força de um sinal. Em CB Santiago. Classificação de 1 a 9
QSB	:	As variações na intensidade do sinal. Desvanecimento. Classificação de 1 a 5
QSL	:	Reconhecimento. Cartão confirmando comunicação
QSO	:	Pedido de comunicação. Em CB, também, a comunicação direta entre duas ou mais estações
QSP	:	Retransmissão através de estação ponte
QSY	:	Passar a transmitir em outra frequência ou canal
QTC	:	Mensagem a ser transmitida
QTH	:	Localização geográfica da estação
QTR	:	Hora atual
QUT	:	Localização geográfica do acidente ou incidente

**NOTA:** O código Q é a fusão das duas definições, como pergunta e resposta, é uma única definição aceite em CB.

## CONDIÇÕES GERAIS DE GARANTIA

Este aparelho tem uma garantia de **2 anos** para peças e mão de obra no país de compra, contra qualquer defeito de fabricação reconhecido pelo nosso departamento técnico. O laboratório de SPV PRESIDENT reserva-se o direito de não aplicar a garantia em caso de dano que tenha sido causado por uma antena não distribuída pela marca PRESIDENT. Uma garantia estendida de **3 anos** será aplicada para a compra simultânea de um aparelho e de uma antena da marca PRESIDENT, aumentando a garantia total de **5 anos**. Para validar sua garantia, efetue a inscrição on-line no site PRESIDENT ELECTRONICS, [www.president-electronics.us/warranty-registration](http://www.president-electronics.us/warranty-registration) no prazo de 30 dias a partir da data da compra. Você também pode acessar a página de registro de garantia usando seu smartphone para ler (o aplicativo deve estar disponível) o código QR no cartão de garantia em anexo. Você receberá um e-mail de confirmação da inscrição de garantia. Recomendamos que você guarde uma cópia deste e-mail.

Qualquer reparo sob garantia será sem carga e os custos de entrega de retorno serão suportados por PRESIDENT. A prova de compra deve imperativamente estar junta em caso do retorno de um produto a ser reparado. As datas da inscrição e da prova de compra devem corresponder.

No caso em que a intervenção não é coberta pela garantia serão faturados as peças, a mão de obra e os custos de transporte.

Nenhuma peça de reposição será enviada, pelo nosso departamento técnico, com base na garantia. Não prossiga com a instalação do dispositivo sem ler o manual do usuário.

A garantia é válida somente no país de compra.

### Esta garantia não cobre:

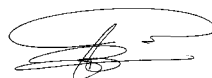
- Os danos provocados por acidentes tais como choques, quedas, incêndios ou embalagens defeituosas, negligência, ou manutenção inadequada.
- O desgaste normal de um produto (transistores de potência, microfones, luzes, fusíveis), o uso indevido (incluindo mas não se limitando à antena mal ajustada, SWR [relação de ondas estacionárias] excessiva ou muito grande, [superior a 2], inversão de polaridade, ligações erradas, sobretensão, etc.), a não observância das características de instalação e uso.
- A garantia não pode ser estendida devido à indisponibilidade do aparelho enquanto ele está sendo reparado pelo SPV PRESIDENT, nem por a troca de um ou mais componentes ou peças de reposição.
- Os reparos e/ou modificações feitas por terceiros sem a aprovação da empresa PRESIDENT.

### Se você observar falhas de funcionamento:

- Verifique a fonte de alimentação do aparelho e a qualidade do fusível.
- Verifique se a antena, o microfone estão corretamente conectados.
- Verifique se o nível do silenciador squelch está devidamente ajustado; a configuração programada é a correta.
- Verifique os fios dos vários conectores, tomadas de antena, microfone e fonte de alimentação.
- Em caso de um real mau funcionamento, consulte primeiro seu provedor. Ele decidirá que medidas devem ser tomadas.

No caso de uma intervenção não coberta pela garantia ou fora do prazo, você ainda terá possibilidade de fazer inspecionar ou reparar o seu aparelho. Uma estimativa será estabelecida antes de qualquer reparo.

Você confiou na experiência e na qualidade da PRESIDENT e nós apreciamos isso. Para estar completamente satisfeito com a sua compra, por favor leia atentamente este manual.



A Direção Técnica  
e  
O Departamento de Qualidade



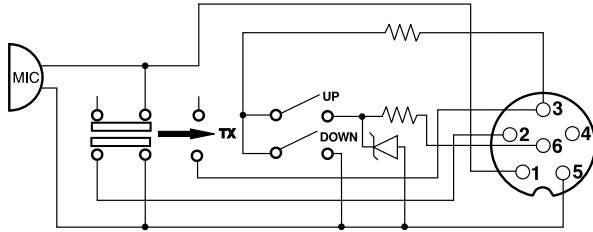
**CHANNEL FREQUENCY TABLE**  
**TABLA DE FRECUENCIAS**  
**TABLEAU DES FRÉQUENCES**  
**TABELA DE FREQUÊNCIAS**

Nº Canal Channel Nº du canal Nº Canal	Frecuencia Frequency Fréquences Frequência	Nº Canal Channel Nº du canal Nº Canal	Frecuencia Frequency Fréquences Frequência
1	26,965 MHz	21	27,215 MHz
2	26,975 MHz	22	27,225 MHz
3	26,985 MHz	23	27,255 MHz
4	27,005 MHz	24	27,235 MHz
5	27,015 MHz	25	27,245 MHz
6	27,025 MHz	26	27,265 MHz
7	27,035 MHz	27	27,275 MHz
8	27,055 MHz	28	27,285 MHz
9	27,065 MHz	29	27,295 MHz
10	27,075 MHz	30	27,305 MHz
11	27,085 MHz	31	27,315 MHz
12	27,105 MHz	32	27,325 MHz
13	27,115 MHz	33	27,335 MHz
14	27,125 MHz	34	27,345 MHz
15	27,135 MHz	35	27,355 MHz
16	27,155 MHz	36	27,365 MHz
17	27,165 MHz	37	27,375 MHz
18	27,175 MHz	38	27,385 MHz
19	27,185 MHz	39	27,395 MHz
20	27,205 MHz	40	27,405 MHz

**WEATHER FREQUENCY TABLE**  
**TABLA DE FRECUENCIAS METEOROLÓGICAS**  
**TABLEAU DES FRÉQUENCES MÉTÉO**  
**TABELA DE FREQUÊNCIAS METEOROLÓGICAS**

Channel Nº Canal Nº du canal Nº Canal	Frequency Frecuencia Fréquences Frequência
1	162,550 MHz
2	162,400 MHz
3	162,475 MHz
4	162,425 MHz
5	162,450 MHz
6	162,500 MHz
7	162,525 MHz

**6-PIN MICROPHONE PLUG • CONEXIÓN DEL MICRO 6 PINS  
PRISE MICRO À 6 BROCHES • TOMADA MICROFONE 6 PINOS**



1	Modulation	Modulación	Modulation	Modulação
2	RX	RX	RX	RX
3	TX - UP/DOWN	TX - UP/DOWN	TX - UP/DOWN	TX - UP/DOWN
4	-	-	-	-
5	Ground	Masa	Masse	Terra
6	Power Supply	Alimentación	Alimentation	Alimentação



## **IC RSS-GEN, Sec 7.1.2 Warning Statement - (Required for Transmitters)**

### **ENGLISH:**

Under Industry Canada regulations, this radio transmitter may only operate using an antenna of a type and maximum (or lesser) gain approved for the transmitter by Industry Canada. To reduce potential radio interference to other users, the antenna type and its gain should be so chosen that the equivalent isotropically radiated power (e.i.r.p.) is not more than that necessary for successful communication.

### **FRANÇAIS :**

Conformément à la réglementation d'Industrie Canada, le présent émetteur radio peut fonctionner avec une antenne d'un type et d'un gain maximal (ou inférieur) approuvé pour l'émetteur par Industrie Canada. Dans le but de réduire les risques de brouillage radioélectrique à l'intention des autres utilisateurs, il faut choisir le type d'antenne et son gain de sorte que la puissance isotrope rayonnée équivalente (p.i.r.e.) ne dépasse pas l'intensité nécessaire à l'établissement d'une communication satisfaisante.

## **IC RSS-GEN, Sec 7.1.2 Warning Statement - (Required for Transmitters w/ detachable antennas)**

### **ENGLISH:**

This radio transmitter has been approved by Industry Canada to operate with the antenna types listed below with the maximum permissible gain and required antenna impedance for each antenna type indicated. Antenna types not included in this list, having a gain greater than the maximum gain indicated for that type, are strictly prohibited for use with this device.

### **FRANÇAIS :**

Le présent émetteur radio a été approuvé par Industrie Canada pour fonctionner avec les types d'antennes énumérés ci-dessous et ayant un gain admissible maximal et l'impédance requise pour chaque type d'antenne. Les types d'antennes non inclus dans cette liste, ou dont le gain est supérieur au gain maximal indiqué, sont strictement interdits pour l'exploitation de l'émetteur.

## **RF Exposure Warning Statements**

### **ENGLISH:**

The antenna used for this radio must be properly installed and maintained and must provide a separation distance of at least 53 cm (21 Inches) from all persons and must not be collocated or operated in conjunction with any other antenna or transmitter. Never transmit if any person is closer than the specified distance to the antenna.

Note that PRESIDENT does not specify or supply any antenna with this transceiver. While a 0 dBi gain antenna is normal for a typical installation, the above limit applies to any antenna with up to 3 dBi gain.

**FRANÇAIS :**

L'antenne utilisée pour cette radio doit être correctement installée et entretenue. Elle doit respecter une distance minimum de 53 cm (21 pouces) de l'utilisateur et ne doit pas être installée à proximité ou utilisée conjointement avec tout autre antenne ou émetteur. N'utilisez pas votre radio si vous ne respectez pas la distance spécifiée.

Note: PRESIDENT ne recommande ni ne fournit aucune antenne avec cet émetteur-récepteur. Alors qu'un gain d'antenne de 0 dBi est normal pour une installation traditionnelle, la limite mentionnée ci-dessus s'applique à n'importe quelle antenne avec un gain maximal de 3 dBi.

**IC RSS-GEN, Sec 8.4 / RSP-100, Sec 8.4****ENGLISH:**

This device complies with Industry Canada's license-exempt RSSs. Operation is subject to the following two conditions: (1) This device may not cause interference; and (2) This device must accept any interference, including interference that may cause undesired operation of the device.

**FRANÇAIS :**

Le présent appareil est conforme aux normes CNR d'Industrie Canada applicables aux appareils radio exempts de licence. L'exploitation est autorisée aux deux conditions suivantes : (1) l'appareil ne doit pas produire de brouillage, et (2) l'utilisateur de l'appareil doit accepter tout brouillage radioélectrique subi, même si le brouillage est susceptible d'en compromettre le fonctionnement.





Group  
**PRESIDENT**  
ELECTRONICS USA

HEAD OFFICE/SIÈGE SOCIAL: USA - 1007 Collier Center Way, Naples, Florida 34110  
Web: <http://www.president-electronics.us> • Phone: +1 239.302.3100  
Email: [info@president-electronics.us](mailto:info@president-electronics.us)



PRINTED IN P.R.C.

1946/09-18 v3.03

**PRESIDENT**