



RIDERCAM30F

HANDSFREE POWERSPORT VIDEO CAMERA



ride it • record it • relive it

WARNINGS AND CAUTIONS

Do not attempt to operate any controls on the Ridercam30F or other accessories while in motion on a motorcycle or vehicle. Never take your attention away from the safe operation of the motorcycle or vehicle or the roadway.

The installation and mounting of the Ridercam30F should not interfere with the safe and normal operation of the motorcycle or vehicle. Improper installations that interfere with the operation of the motorcycle or vehicle may lead to damage of property, injury and/or loss of life.

Do not attempt to adjust or mount the Ridercam30F camera, controls, or any other part of the system while operating a motorcycle or vehicle. Attempting to adjust or mount any part of the Ridercam30F while operating a motorcycle or vehicle may lead to damage of property, injury and/or loss of life.

Install and operate the Ridercam30F according to the instructions. Improper installations and use may lead to damage of property, injury and/or loss of life.

Do not put excessive force or strain on the components of the Ridercam30F.

Do not expose the Ridercam30F to extreme temperatures, such as direct sunlight, for extended periods of time.

By purchasing and/or using this product you are agreeing that MotoComm and RF Limited and its subsidiaries are not liable or responsible for any accidents, property damage, injuries, or fatalities, that may or may not be caused, directly or indirectly, by use of any of its products. If you do not accept this agreement, please return the purchased item, unused and in new condition, to the place of purchase.

LIMITED WARRANTY

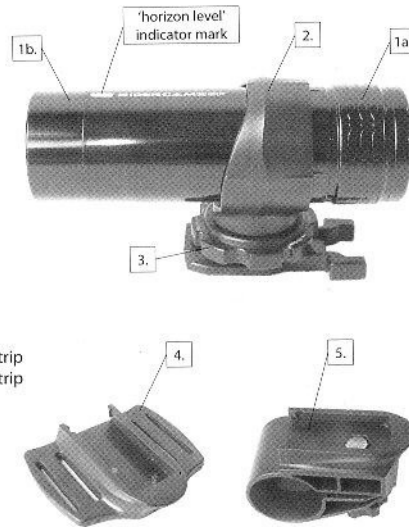
RF Limited warrants that this product is free from defects in materials and workmanship under normal use and conditions for a period of one (1) year from the date of original purchase. This warranty is limited to the original purchaser of the product and is not transferable. Any implied warranties are limited to one (1) year. This warranty does not cover damage which results from modification, accident, misuse, abuse, fire, flood, lightning or other acts of nature or damage resulting from repairs or alterations performed other than by RF Limited. This warranty gives you specific legal rights, and you may also have other rights, which vary, from state to state.

Ridercam30F Contents

1. Ridercam30F
 - 1a. Back Cover
 - 1b. Lens Cover
2. Quick-Release Mounting Ring
3. Mounting Ring Nut
4. Helmet / Flat Surface Mount
5. Handlebar / Bar Mount

Items Not Pictured

- AC Adapter (Charger)
- USB Cable
- Audio / Video (AV) Cable
- Carrying Case
- 12" Hook & Loop Strap
- 24" Hook & Loop Strap
- 24" Rubber Strap
- 1mm Thick Adhesive-Backed Rubber Strip
- 3mm Thick Adhesive-Backed Rubber Strip
- Adhesive Backed Hook & Loop Pieces
- Silicon Grease



MotoComm and the MotoComm Logo are Registered Trademarks of RF Limited.
© 2009 RF Limited. All Rights Reserved.

BATTERY CHARGING

Your Ridercam30F features an internal lithium-ion rechargeable battery. Prior to use, make sure to fully charge battery.

Charging Battery Using AC Adapter (recommended method)

1. Insert AC Adapter into standard wall socket and connect to USB port on camera.
2. Green light on Ridercam30F turns OFF when fully charged.

Charging Battery Using Computer

1. Make sure battery slide switch on camera is in the OFF position.
2. Insert USB cable into USB port on computer and connect other end to camera.
3. Green light on Ridercam30F turns OFF when fully charged.

INSERTING / REMOVING A MEMORY EXPANSION CARD

The Ridercam30F will accept up to and including an 8GB MicroSD or MicroSDHC memory card.

1. Remove (unscrew) back cover.
2. Carefully push the memory card (printed side up) into slot until it locks into place.
3. To remove, carefully push the memory card in slightly until it unlocks and pops out of slot.



RECORDING A VIDEO

1. Turn battery switch ON and select record resolution VGA (640x480) or QVGA (320x240). All video is recorded at 30 frames per second.
2. Screw on back cover.
3. Press and hold the back button for 2 – 3 seconds, until the camera beeps twice and the red light comes on.
4. Press the back button once to start recording. The red light will blink. When recording at VGA resolution, the red light will blink approx. every 0.5 second. When recording at QVGA resolution, the red light will blink approx. every 1 second.
5. Press the back button again to stop recording. The red light will stop blinking.
6. Each time a recording is stopped and started again, a new video file is created.



DELETING A RECORDED VIDEO

Videos can only be deleted from a computer.

1. Connect Ridercam30F to a computer. See PLAYBACK / FILE TRANSFER TO COMPUTER instructions.
2. Select video file and use the delete command on your computer.
3. To erase entire memory / memory card use the format (quick erase) on your computer.

PLAYBACK / FILE TRANSFER TO COMPUTER

1. Put slide switches in ON and VGA positions.
2. Press and hold the white button for 2 – 3 seconds, until the camera beeps the red light comes on.
3. Connect Ridercam30F to computer using supplied USB cable.
4. The Ridercam30F will appear as a removable disk to your computer.
5. Playback or transfer the video files from the Ridercam30F just as you would other file.

PLAYBACK TO TV

1. Put slide switches in ON and QVGA positions.
2. Press and hold the white button for 2 – 3 seconds, until the camera beeps the red light comes on.
3. Connect supplied AV Cable to available input (composite video input) on your TV and select the corresponding input on your TV's menu. Note: If supplied AV Cable has red and white connectors, connect the red connector to the yellow jack on your TV and the white connector to the white (left audio in) jack.
4. Connect AV Cable to AVOUT jack on Ridercam30F. A picture of the video frame will appear on TV screen, along with camera and video information.
5. Press the white button to play and pause the video.
6. Press and hold the white button to skip to the next recorded video. Release the white button when you reach the desired video.

INSTALLING QUICK-RELEASE MOUNTING RING ON CAMERA

1. Remove (unscrew) back cover.
2. Hold quick-release mechanism in one hand and turn the nut counterclockwise to loosen.
3. Slide mounting ring over back of camera (as shown in photo) until mounting ring snaps into place.
4. To tighten camera in mounting ring, hold quick-release mechanism in one hand turn screw clockwise.



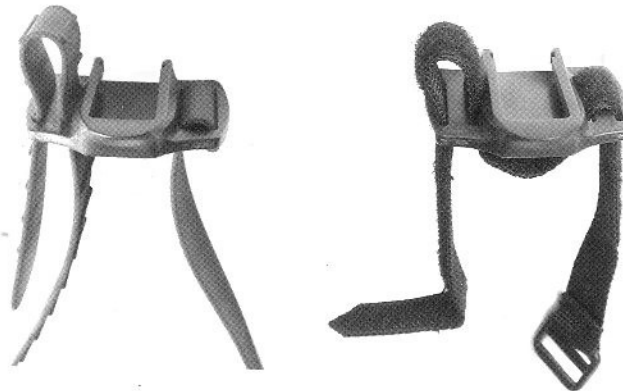
ATTACHING HANDLEBAR / BAR MOUNT

1. Remove bolt and nut from handlebar mount.
2. Carefully spread open handlebar mount and put over handlebar. If diameter of handlebar is too small, adhere one of the provided adhesive-backed rubber strips on inside surface of handlebar mount. See Photo.
3. Insert bolt into top of handlebar mount and use nut to tighten down mount.
4. Slide camera into mount and adjust horizontal and vertical alignment, so that the camera is pointing in the correct direction and the horizon indicator mark next to the Ridercam30F logo on the camera is facing up.



ATTACHING HELMET / FLAT SURFACE MOUNT

- The helmet / flat surface mount may be attached using any of the following provided items:
- a. Double-sided foam adhesive
 - b. Adhesive backed hook & loop pieces
 - c. 12" hook & loop mounting strap
 - d. 24" hook & loop mounting strap
 - e. 24" rubber mounting strap
- Thread straps through mount as shown in photos to secure the mount.



CONNECTING MONITOR FOR LIVE VIDEO VIEWING

1. Put slide switches in ON and VGA positions.
2. Press and hold the white button for 2 – 3 seconds, until the camera b and the red light comes on.
3. Connect supplied AV Cable to available input (composite video input) or monitor. Note: If supplied AV Cable has red and white connectors, c red connector to the yellow (video in) jack on your TV and the white c the white (left audio in) jack.
4. Connect AV Cable to AVOUT jack on Ridercam30F.
5. A live video image from the camera will display on your monitor. This aligning camera in mount prior to recording a video.

USING RIDERCAM30F AS WEB CAMERA

1. Put slide switches in ON and QVGA positions.
2. Press and hold the white button for 2 – 3 seconds, until the camera l and the red light comes on.
3. Connect Ridercam30F to computer using supplied USB cable.
4. If your computer does not automatically recognize and install drivers (USB) camera, it will be necessary to access your Device Manager at install the drivers. Refer to your operating system manual.

Ridercam30F and Water

The Ridercam30F is waterproof, but ONLY under the following conditions:

1. Waterproof to a maximum depth of 1 meter for no more than 1 minute.
2. Housing and front and back covers must be in new condition with breaks or warping.
3. ALL rubber o-rings must be in place and properly seated. There are 2 back cover and 1 o-ring for front lens cover.
4. All rubber o-rings must be in NEW condition and NOT dried out c anywhere on the o-ring.
5. All rubber o-rings must be thoroughly lubricated on all surfaces with silicon grease.
6. Back cover must be screwed on camera completely and corre cross-threaded, etc.)
7. Front lens cover must be screwed on camera completely and correctly.



(TOLL FREE) 877-624

(TEL) 425-295-03

(FAX) 425-295-03

www.MotoComm.com

info@MotoComm.com