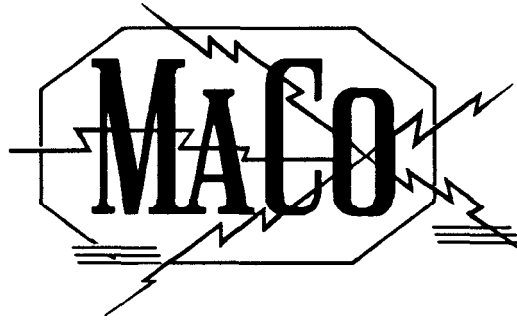
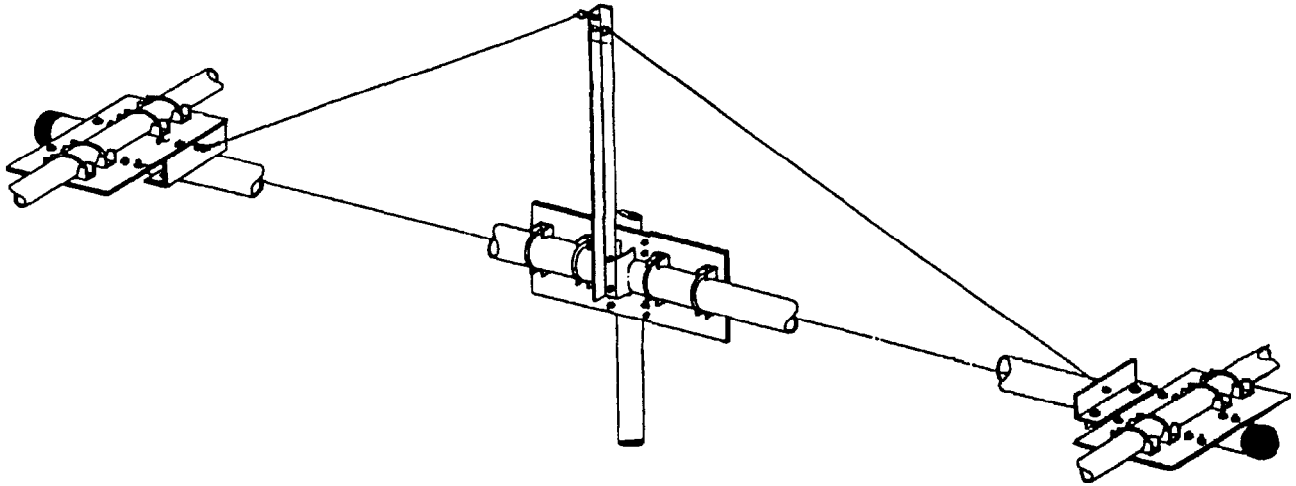


# ASSEMBLY INSTRUCTIONS



## VQ3 Stacking Kit



MacoAntennas, a Division on Charles Electronics, LLC  
302 S. East St.  
Mt. Carroll, IL 61053  
815-244-3500

---

# VQ3 STACK KIT

## PACKING LIST

<u>PART</u>	<u>QTY</u>	<u>O.D.</u>	<u>SIZE</u>	<u>LENGTH</u>	<u>DESCRIPTION</u>	<u>CHECKLIST</u>
T21	2	2"		80"	ALUMINUM TUBING	_____
T53	2	1.845"		80"	ALUMINUM TUBING	_____
T61	1	1.685"	.050"	18"	ALUMINUM TUBING	_____
V01	1	1"x1"		18"	GUY SUPPORT	_____
WD2	1	6/18	25'		STEEL GUY CABLE	_____
P03	1	¼" x 6"	8"		ALUM PLATE 2" STACK BOOM TO 2" MAST PIPE	_____
WH2HDP	1	18'			CO-PHASING HARNESS	_____
	1				T COAX CONNECTOR	_____
	1				COAX SEAL	_____
<b>VQ3 HARDWARE BAG #1</b>						
U01	12	2"			PLATED U-BOLTS	_____
S01	12	2"			PLATED SADDLES	_____
N03	24	5/16"			LOCK NUTS	_____
<b>VQ3 HARDWARE BAG #2</b>						
N18	4	5/16"		4"	EYE-BOLT W(8) N01	_____
BG2	2				BOOM TO GUY MOUNTS	_____
PL5	2	2"			PLASTIC CAPS – BLACK	_____
EG3	6				EGG INSULATORS	_____
EZ-55	14	1/8"			CABLE CLAMPS	_____
MBSK	1				INSTRUCTION SHEET	_____
	1				WARRANTY SHEET	_____
	1				MACO FLYER	_____

WHEN ORDERING PARTS, ALWAYS GIVE PART NUMBER AND DESCRIPTION.  
 YOU CAN ALSO ORDER MACO® PARTS & ACCESSORIES ONLINE AT  
[WWW.ANTENNAPARTSOUTLET.COM](http://WWW.ANTENNAPARTSOUTLET.COM)

Please note: In an effort to keep the price on Maco Antennas down, we have decided not to clean up all the burrs and rough edges on the parts. We recommend that you deburr and clean up each part with files, sandpaper, etc. so that they go together easily. We are aware this needs to be done but have elected not to do it to save you the money we would have to add to the price of the kit for this service.

## VQ3 Stacking Kit

### ASSEMBLY INSTRUCTIONS

#### FIGURE 1A

Slide the 1.832" O.D. reinforcing sections completely inside the 2" O.D. boom sections.

Slide the 18" coupler section half way into one of the above, then slide the other section over the coupler. Be sure the coupler remains centered during the next step of assembly.

#### FIGURE 1B

Attach the boom-to-mast plate to the boom with 2" U-bolts and saddles and 5/16" lockwashers and hex nuts. Before fully tightening the U-bolts, reverse another U-bolts at boom center so that it faces away from the plate and mount the guy support as shown.

#### FIGURE 2A

Attach the eyebolts to the guy support as illustrated.

#### FIGURE 2B

Mount the boom-to-guy supports as shown making certain that the plates are spaced properly. Complete the guy system as shown in the illustration.

It is easier to tune each beam separately in the horizontal position on a pipe 9' above the ground; then assemble, rather than to try tuning when stacked.

Connect the phasing harness coaxial connectors to the gamma matches of your VQ3 Beams. Tape the harness along the booms and down the mast. Any length of RG8 or RG58 may be connected to the phasing harness.

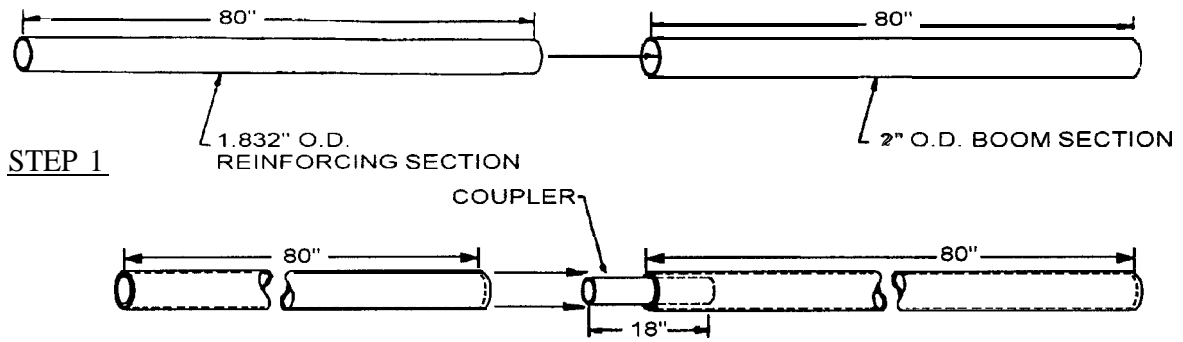
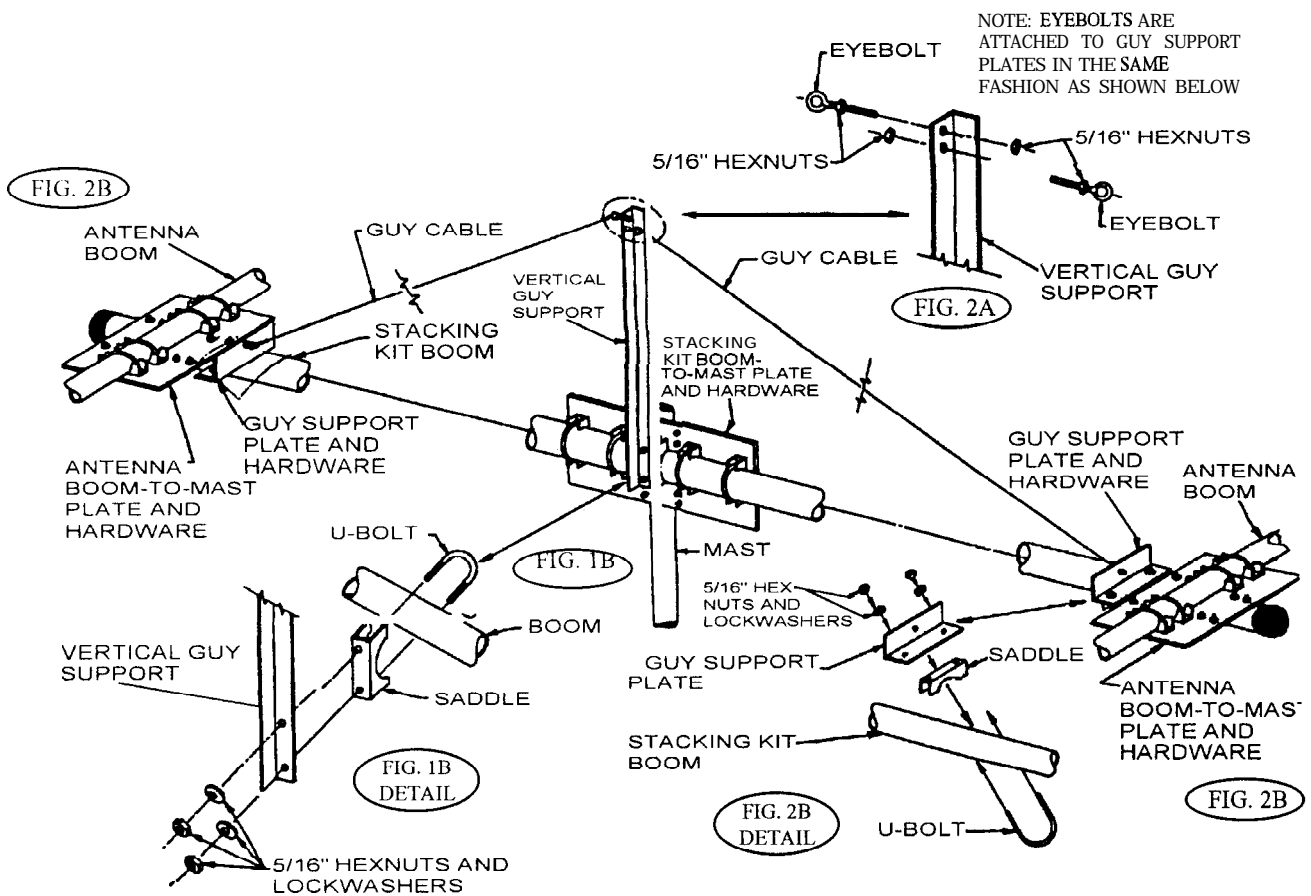


FIG. 1A

BOOM ASSEMBLY





**Caution:**

**TAKE CARE TO AVOID ANY CONTACT WITH  
OVERHEAD POWER LINES WHEN RAISING,  
INSTALLING, OR REPAIRING YOUR  
ANTENNA, TOWER, OR ROTOR.**

**DEATH WILL OCCUR!**

Installing and rigging towers, masts and antennas require specialized skills and experience. Information supplied by MACo assumes that all products will be installed by personnel having these skills and have installed similar products before. No one should attempt to install towers or masts without these knowledgeable skills.

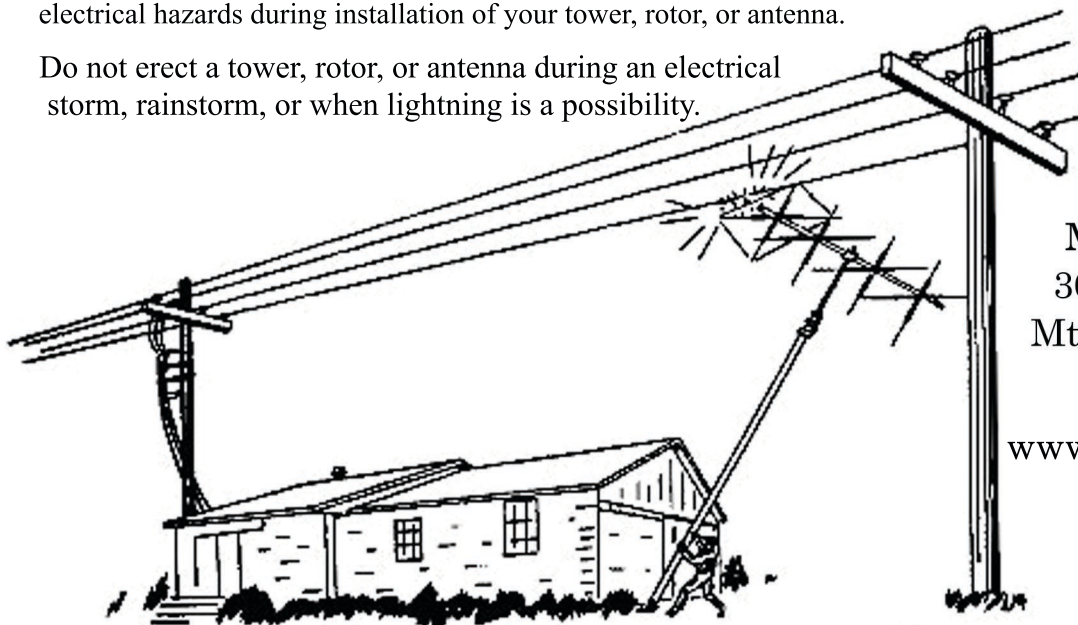
MACo assumes no liability if faulty or dangerous installation practices are used. There are available, trained and experienced personnel to assist in installation, maintenance, or disassembly. Contact your local installer if consultation or assistance is required.

All tower and antenna installations should be thoroughly inspected at least twice a year by qualified, experienced, and trained personnel to insure proper performance and safety standards.

#### Electrical Warning

An additional warning precaution is given to be careful of surrounding high voltage power wires and other electrical hazards during installation of your tower, rotor, or antenna.

Do not erect a tower, rotor, or antenna during an electrical storm, rainstorm, or when lightning is a possibility.



MACo Antennas  
302 S. East Street  
Mt. Carroll, IL 61053

[www.macoantennas.net](http://www.macoantennas.net)  
(815) 244-3500

MACo Antennas is a Division of Charles Electronics, LLC